

CF Rimoldi

Parts catalogue

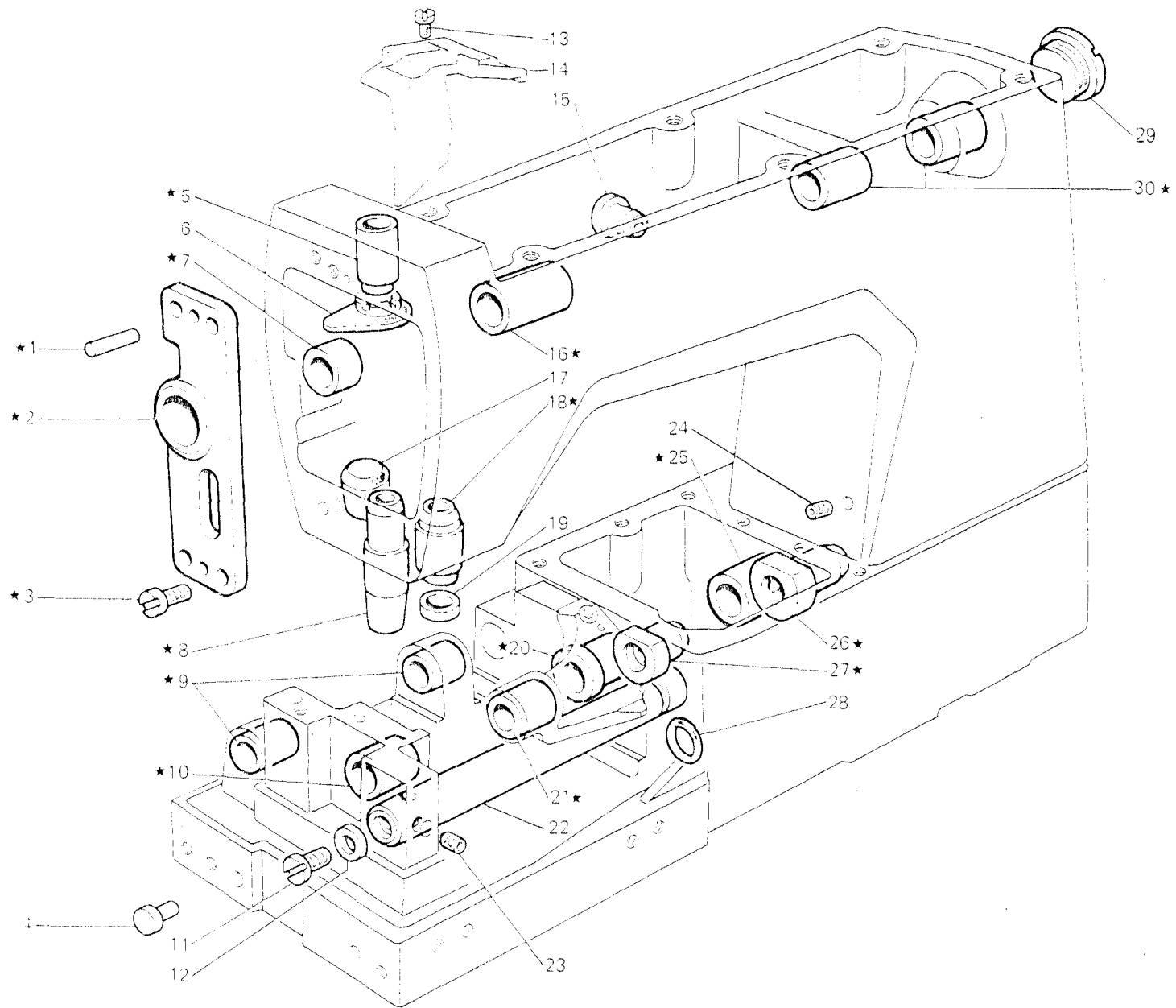
264-04-1MB-02

264-04-1MB-04

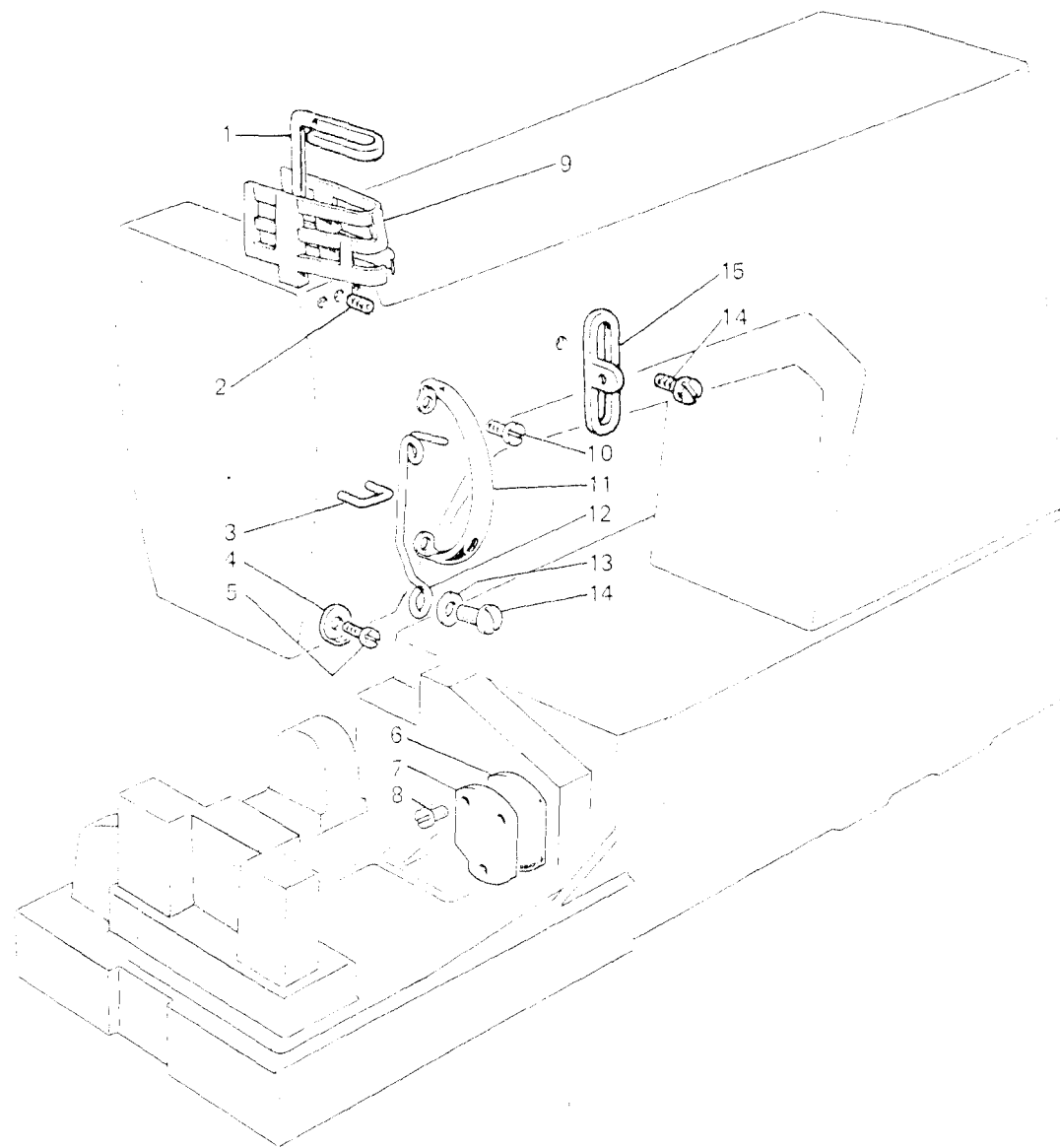
264-04-1MB-03

Nr. 631

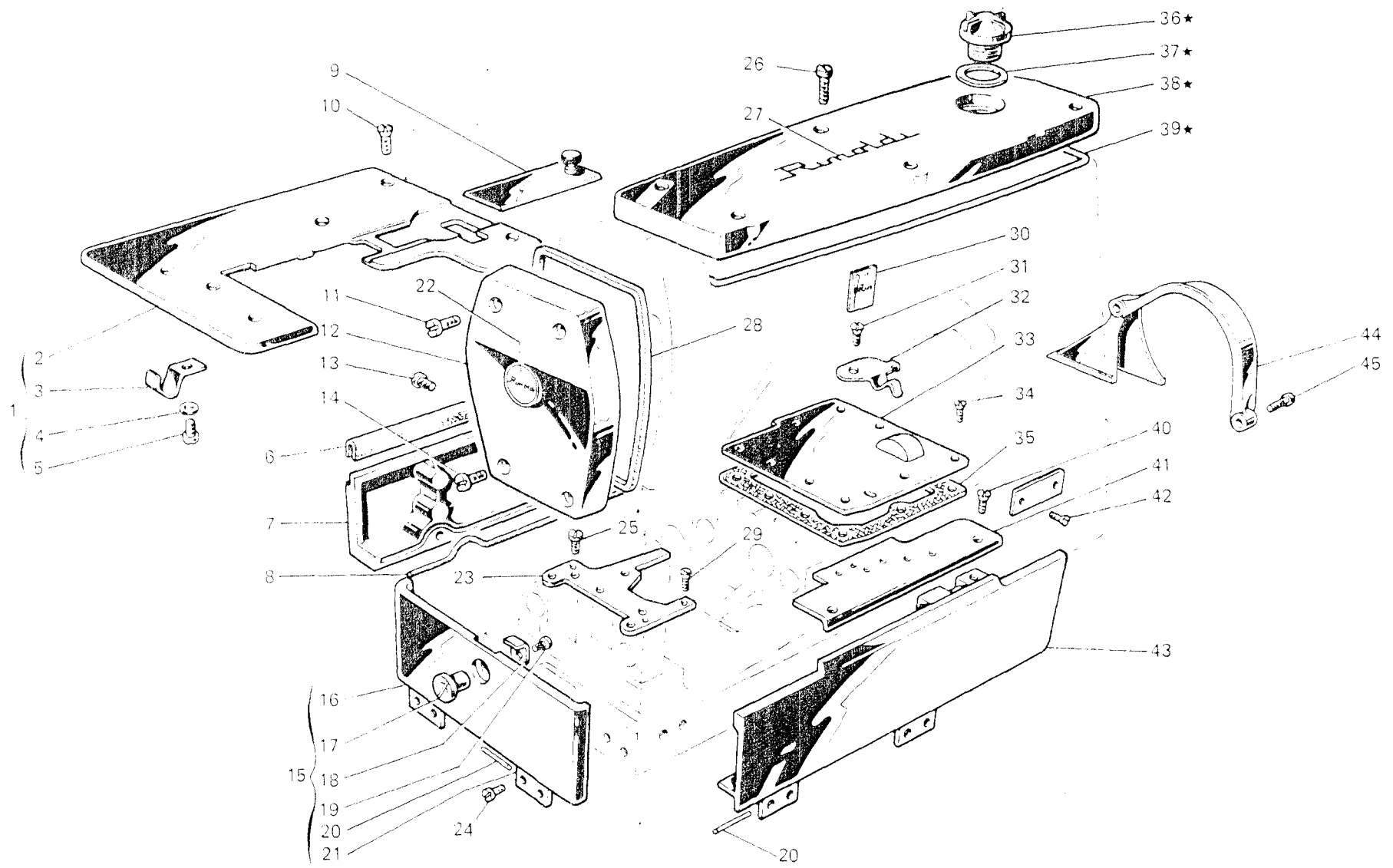
| TAV. N. TAB. N. | DESCRIZIONE | DESCRIPTION | DESCRIPTION |
|--------------------|-----------------------------------|----------------------------|--------------------------------|
| 1 | BASE E BRACCIO CON BUSSOLE | BASE AND ARM WITH BUSHES | BASE ET BRAS AVEC BAGUES |
| 2 | PASSAFILI E TENSIONE CROCHET INF. | THREAD GUIDE AND TENSION | PASSE-FILS ET TENSION |
| 3 | COPERCHI E PIANO LAVORO | COVERS AND WORKING PLATE | CARTERS ET PLAN DE TRAVAIL |
| 4 | GRUPPO PORTA GRIFFA | FEED DOG HOLDER ASSEMBLY | GROUPE PORTE-GRIFFE |
| 5 | GRUPPO BIELLA | CON-ROD ASSEMBLY | GROUPE BIELLE |
| 6 | GRUPPO ALBERO INFERIORE | LOWER SHAFT ASSEMBLY | GROUPE ARBRE INFERIEUR |
| 7 | GRUPPO CROCHET INFERIORE | LOWER LOOPER ASSEMBLY | GROUPE CROCHET INFERIEUR |
| 8 | ALBERO SUPERIORE E BARRA AGO | UPPER SHAFT AND NEEDLE BAR | ARBRE SUP. ET BARRE AIGUILLE |
| 9 | GRUPPO PREMISTOFFA | PRESSER ASSEMBLY | GROUPE PRESSEUR |
| 10 | GRUPPO TENSIONI ANTERIORI | FRONT TENSIONS ASSEMBLY | GROUPE TENSIONS AVANT |
| 1 | BACINELLA OLIO | OIL SUMP | RESERVOIR HUILE |
| 12 | LUBRIFICAZIONE E POMPA OLIO | LUBRICATION AND OIL PUMP | LUBRIFICATION ET POMPE A HUILE |
| 13 | ORGANI DI CUCITURA | SEWING PARTS | ORGANES COUTURE |
| 14 | ACCESSORI IN DOTAZIONE | AUXILIARY EQUIPMENT | ACCESSOIRES EN DOTATION |
| 15 | PIAZZAMENTO NORMALE | NORMAL SETTING | INSTALLATION NORMALE |
| 16 | PIAZZAMENTO INCASSATO | SUBMERGED SETTING | INSTALLATION ENCASTREE |
| 17 | PORTA BOBINE | BOBBIN HOLDER | PORTE BOBINE |
| 18 | TESTA 264-04-1MB-04 | 264-04-1MB-04 HEAD | TETE 264-04-1MB-04 |
| 19 - 21 | TESTA 264-04-1MB-03 | 264-04-1MB-03 HEAD | TETE 264-04-1MB-03 |



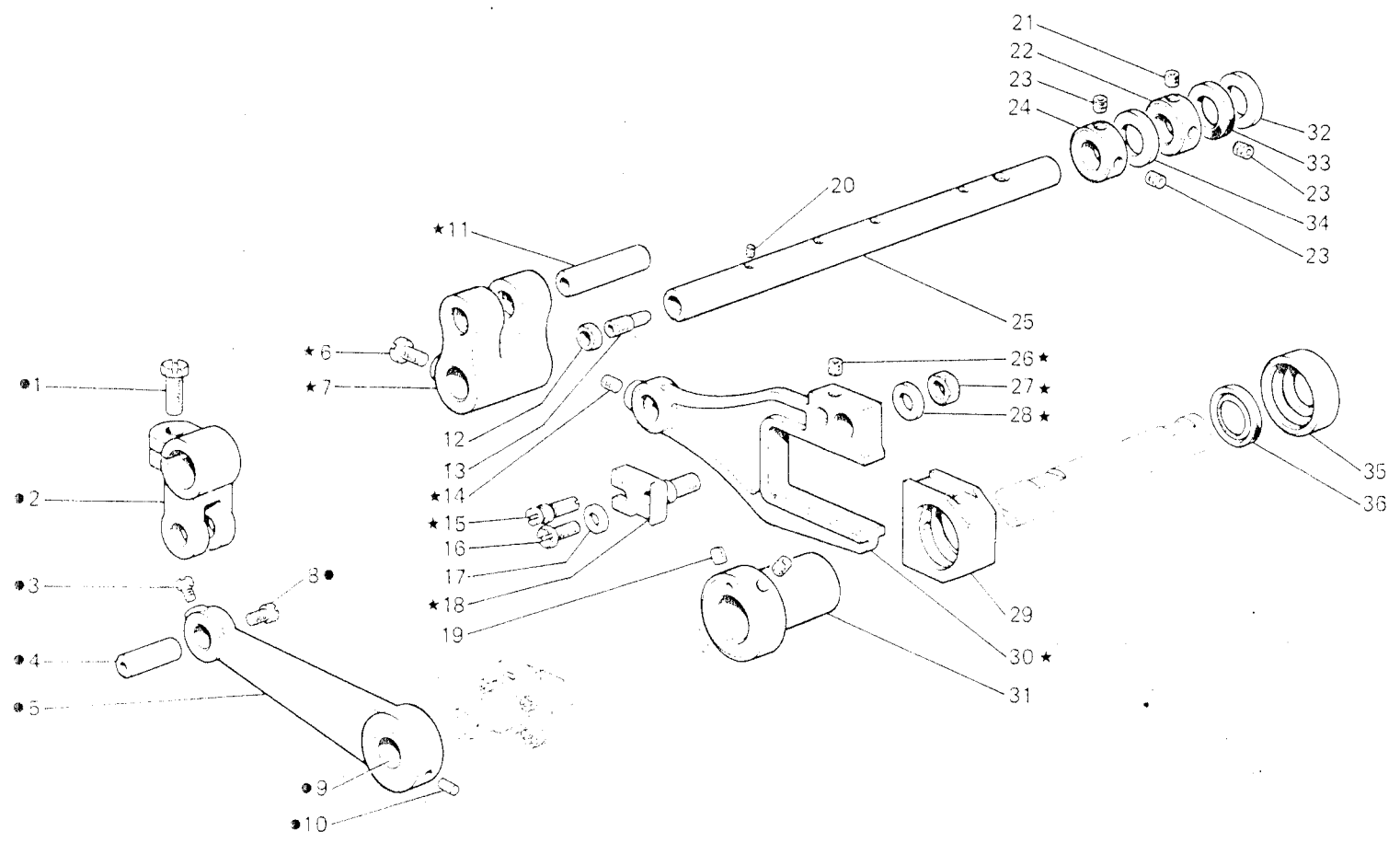
| Fig. N. Abb. N. | Part. N. Pieca N. Bestell N. Pieza N. | Ct. Anzahl | DESCRIZIONE | DESCRIPTION | DESCRIPTION | BENENNUNG | DESCRIPCION |
|--------------------|--|---------------|----------------------------|--------------------------|--------------------------|-----------|-------------|
| ★ | 308608-3-20 | 1 | base e braccio con bussola | base and arm with bushes | base et bras avec bagues | | |
| 1 | 706454-0-00 | 2 | spina | pin | goupille | | |
| 2 | 308859-2-00 | 1 | supporto con bussola | support with bush | support avec bague | | |
| 3 | 722084-2-00 | 4 | vite | screw | vis | | |
| 4 | 202398-0-10 | 1 | tappo | plug | bouchon | | |
| 5 | 308032-0-00 | 1 | bussola | bush | bague | | |
| 6 | 308215-0-00 | 1 | protezione olio | oil protection | protection huile | | |
| 7 | 308858-0-00 | 1 | bussola | bush | bague | | |
| 8 | 308406-0-00 | 1 | bussola | bush | bague | | |
| 9 | 308296-0-00 | 2 | bussola | bush | bague | | |
| 10 | 308293-0-02 | 1 | bussola | bush | bague | | |
| 11 | 742214-2-00 | 1 | vite | screw | vis | | |
| 12 | 705734-0-00 | 1 | guarnizione | gasket | garniture | | |
| 13 | 721444-2-00 | 1 | vite | screw | vis | | |
| 14 | 308138-0-12 | 1 | carter paraolio | oil retainer cover | carter protection huile | | |
| 15 | 303501-0-10 | 1 | tappo per foro tendifilo | plug | bouchon | | |
| 16 | 308852-0-01 | 1 | bussola | bush | bague | | |
| 17 | 308094-0-00 | 1 | tappo foro bussola | plug | bouchon | | |
| 18 | 308031-0-00 | 1 | bussola | bush | bague | | |
| 19 | 308218-0-00 | 1 | scodellino inferiore | lower cup | cuvette inférieure | | |
| 20 | 308009-0-00 | 1 | bussola | bush | bague | | |
| 21 | 303885-0-11 | 1 | bussola | bush | bague | | |
| 22 | 308755-0-01 | 1 | perno scarico olio | pin | pivot | | |
| 23 | 730033-2-00 | 1 | vite | screw | vis | | |
| 24 | 729032-2-00 | 1 | vite | screw | vis | | |
| 25 | 308086-0-11 | 1 | bussola | bush | bague | | |
| 26 | 308756-0-00 | 1 | bussola | bush | bague | | |
| 27 | 303854-0-11 | 1 | bussola | bush | bague | | |
| 28 | 701014-0-00 | 1 | anello di tenuta | retainer ring | bague d'étanchéité | | |
| 29 | 302356-0-10 | 1 | tappo | plug | bouchon | | |
| 30 | 308853-0-01 | 2 | bussola | bush | bague | | |



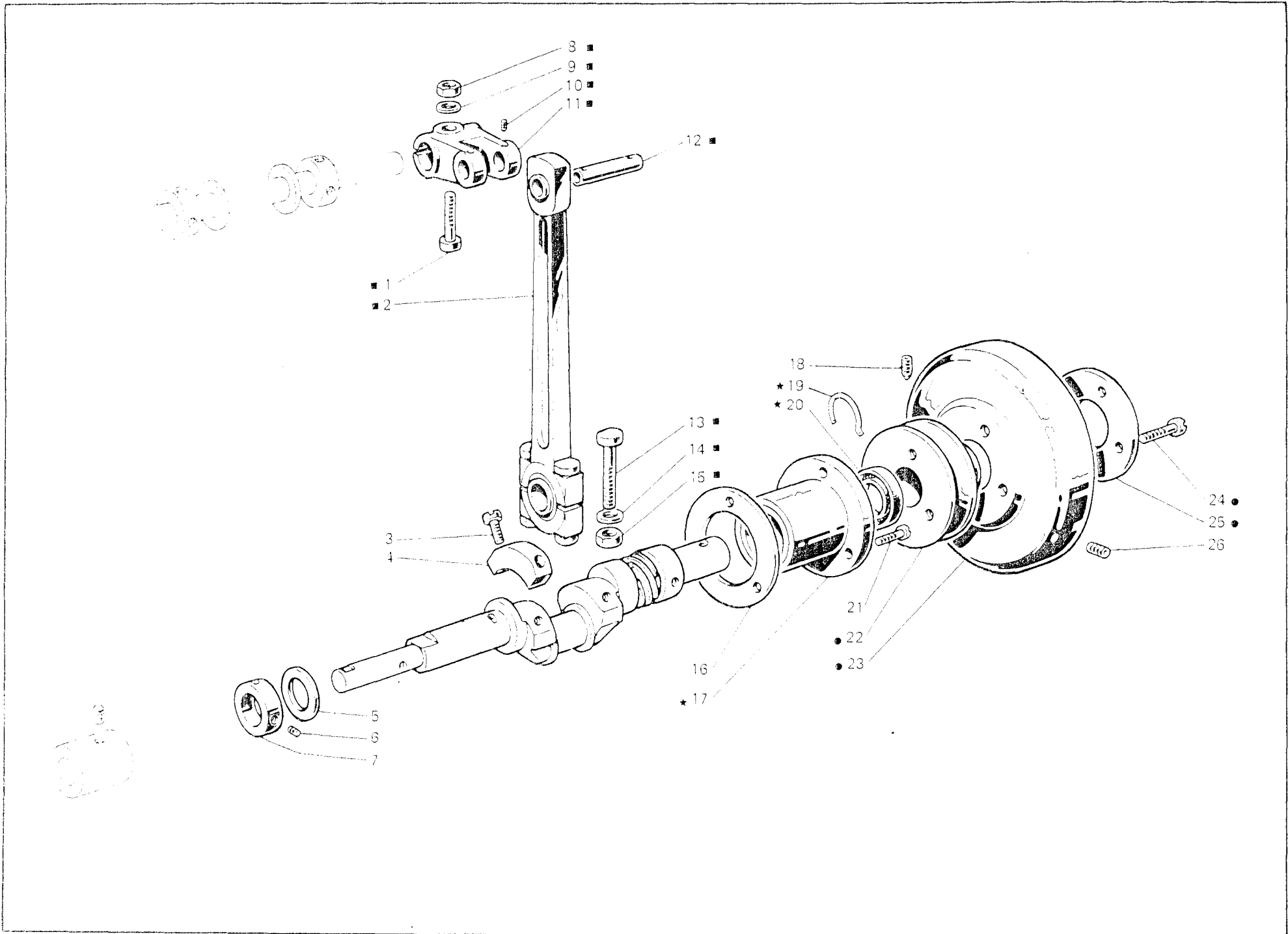
| Fig. N. Abb. N. | Part. N. P. ece N. Bestell N. Pieza N. | Qt. Anzahl | DESCRIZIONE | DESCRIPTION | DESCRIPTION | BENENNUNG | DESCRIPCION |
|--------------------|---|---------------|---------------------------|---------------------------------|--------------------------------|-----------|-------------|
| 1 | 302136-0-12 | 1 | passafilo | thread guide | passe-fil | | |
| 2 | 729012-2-00 | 3 | vite | screw | vis | | |
| 3 | 308137-0-00 | 1 | cavallotto | coupling | cavaller | | |
| 4 | 308201-0-02 | 1 | passafilo | thread guide | passe-fil | | |
| 5 | 724420-2-00 | 1 | vite | screw | vis | | |
| 6 | 308809-0-01 | 1 | guarnizione | gasket | garniture | | |
| 7 | 308810-0-01 | 1 | mascherina para olio | oil retainer flange | flasque pare-huile | | |
| 8 | 741675-2-00 | 3 | vite | screw | vis | | |
| 9 | 313375-0-01 | 1 | protezione tendifilo sup. | upper thread take-up protection | protection tendeur du fil sup. | | |
| 10 | 721444-2-00 | 2 | vite | screw | vis | | |
| 11 | 308107-0-01 | 1 | protezione tendifilo inf. | lower thread take-up protection | protection tendeur du fil inf. | | |
| 12 | 309334-0-00 | 1 | passafilo | thread guide | passe-fil | | |
| 13 | 704210-4-00 | 1 | rondella | washer | rondelle | | |
| 14 | 303045-0-10 | 3 | vite | screw | vis | | |
| 15 | 308200-0-01 | 2 | guidafilo | thread guide | guide-fil | | |



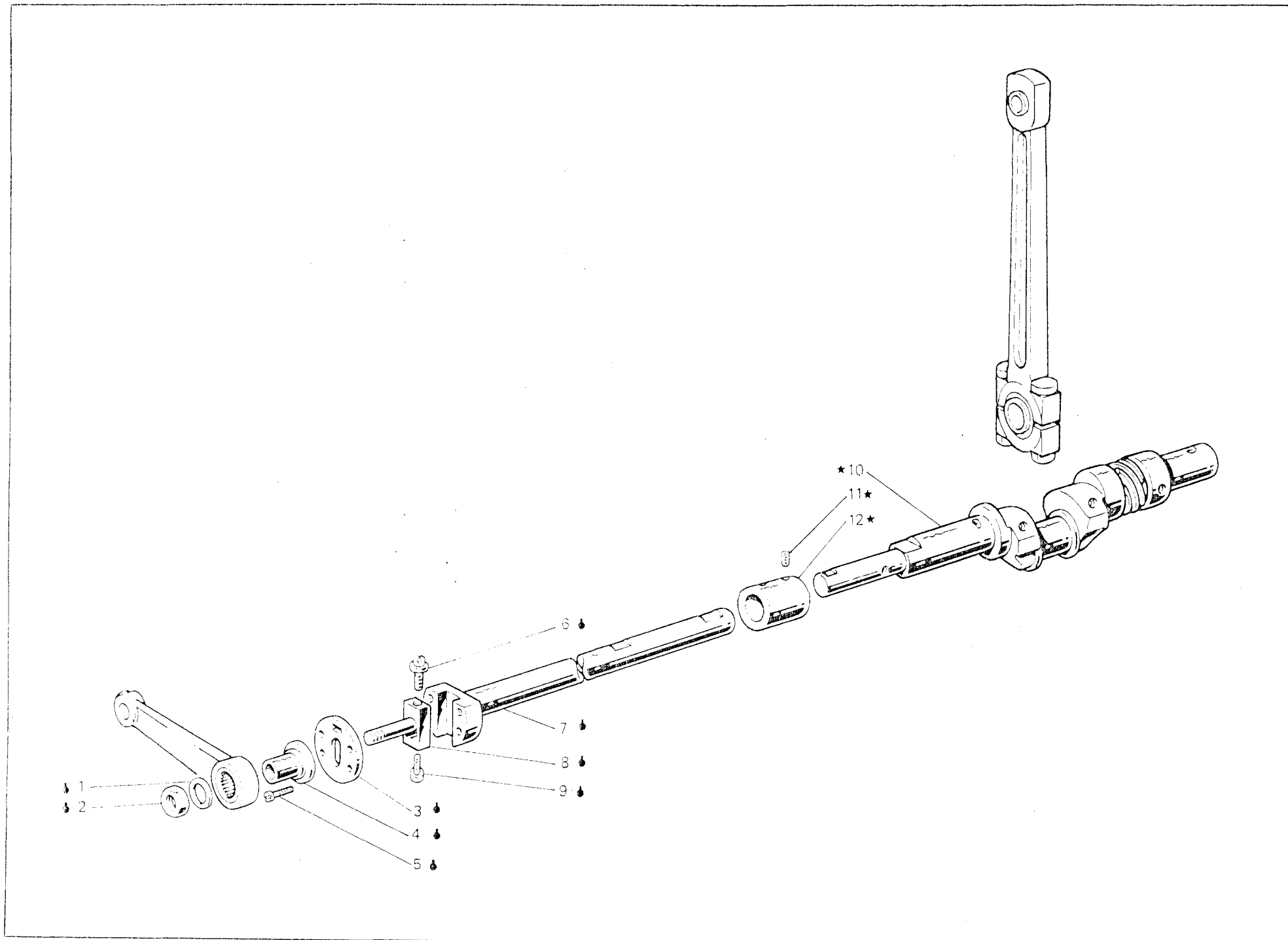
| Fig. N. Abb. N. | Part. N. Pieca N. Bestell N. Pieza N. | Ct. Anzahl | DESCRIZIONE | DESCRIPTION | DESCRIPTION | BENENNUNG | DESCRIPCION |
|--------------------|--|---------------|--------------------------------|------------------------|-----------------------------|-----------|-------------|
| ★ | 308103-4-10 | 1 | coperchio sup. completo | upper cover assembly | couvercle sup. complet | | |
| 1 | 309068-4-00 | 1 | piano di lavoro completo | working plate assembly | plan de travail complet | | |
| 2 | 309049-2-00 | 1 | piano di lavoro | working plate | plan de travail | | |
| 3 | 309351-0-00 | 1 | molla | spring | ressort | | |
| 4 | 704306-0-00 | 1 | rondella | washer | rondelle | | |
| 5 | 720411-2-00 | 1 | vite | screw | vis | | |
| 6 | 309088-0-01 | 1 | guarnizione | gasket | garniture | | |
| 7 | 309086-0-01 | 1 | carter posteriore | rear cover | carter arrière | | |
| 8 | 309084-0-00 | 1 | guarnizione | gasket | garniture | | |
| 9 | 309302-2-00 | 1 | coperchio scorrevole | sliding cover | couvercle coulissant | | |
| 10 | 744636-2-00 | 5 | vite | screw | vis | | |
| 11 | 302354-0-20 | 2 | vite superiore | upper screw | vis supérieure | | |
| 12 | 308100-0-01 | 1 | coperchio laterale | side cover | couvercle latéral | | |
| 13 | 741088-2-00 | 3 | vite per carter posteriore | screw for rear cover | vis pour carter arrière | | |
| 14 | 302353-0-10 | 2 | vite | screw | vis | | |
| 15 | 309139-4-00 | 1 | carter laterale completo | side cover assembly | carter latéral complet | | |
| 16 | 309126-3-00 | 1 | carter laterale | side cover | carter latéral | | |
| 17 | 309372-0-00 | 1 | perno | pin | pivot | | |
| 18 | 309371-0-00 | 1 | chiavistello | key | clé | | |
| 19 | 741658-2-00 | 1 | vite | screw | vis | | |
| 20 | 707556-0-00 | 4 | spina | pin | goupille | | |
| 21 | 309332-0-00 | 4 | cerniera | hinge | charnière | | |
| 22 | 304662-0-10 | 1 | targhetta | plate | plaque | | |
| 23 | 308790-2-00 | 1 | piastra porta piastra | plate | plaque | | |
| 24 | 300483-0-10 | 8 | vite per cerniera | screw for hinge | vis pour charnière | | |
| 25 | 302355-0-10 | 2 | vite per piastra | screw for plate | vis pour plaque | | |
| 26 | 742282-2-00 | 6 | vite per coperchio | screw for cover | vis pour couvercle | | |
| 27 | 300006-0-12 | 2 | decalcomania | decalcomania | décalcomanie | | |
| 28 | 308128-0-00 | 1 | guarnizione coperchio | cover gasket | garniture couvercle | | |
| 29 | 744730-0-00 | 2 | vite per piastra ago | screw for needle plate | vis pour plaque à aiguille | | |
| 30 | 788021-0-01 | 1 | decalcomania sistema aghi | needles decalcomania | décalcomanie syst. aiguille | | |
| 31 | 721474-2-00 | 1 | vite | screw | vis | | |
| 32 | 309360-0-00 | 1 | molla chiusura carter | spring | ressort | | |
| 33 | 309377-2-10 | 1 | piastra superiore P309324-2-10 | upper plate | plaque supérieure | | |
| 34 | 741936-2-00 | 8 | vite per piastra | screw for plate | vis pour plaque | | |
| 35 | 309323-0-00 | 1 | guarnizione | gasket | garniture | | |
| 36 | 202239-0-10 | 1 | cupolina | cup | coupole | | |
| 37 | 705970-0-00 | 1 | guarnizione per cupolina | gasket | garniture | | |
| 38 | 308102-0-10 | 1 | coperchio superiore | upper cover | couvercle supérieur | | |
| 39 | 308129-0-01 | 1 | guarnizione per coperchio | gasket for cover | garniture pour couvercle | | |
| 40 | 744676-2-00 | 2 | vite | screw | vis | | |
| 41 | 309256-0-00 | 1 | piastra piano di lavoro | working plate | plaque plan de travail | | |
| 42 | 202165-0-10 | 2 | vite per targhetta | screw for plate | vis pour plaquette | | |
| 43 | 309177-3-00 | 1 | carter anteriore completo | front cover assembly | carter avant complet | | |
| 44 | 308461-0-00 | 1 | carter copricinghia | cover | carter | | |
| 45 | 721475-2-00 | 2 | vite | screw | vis | | |



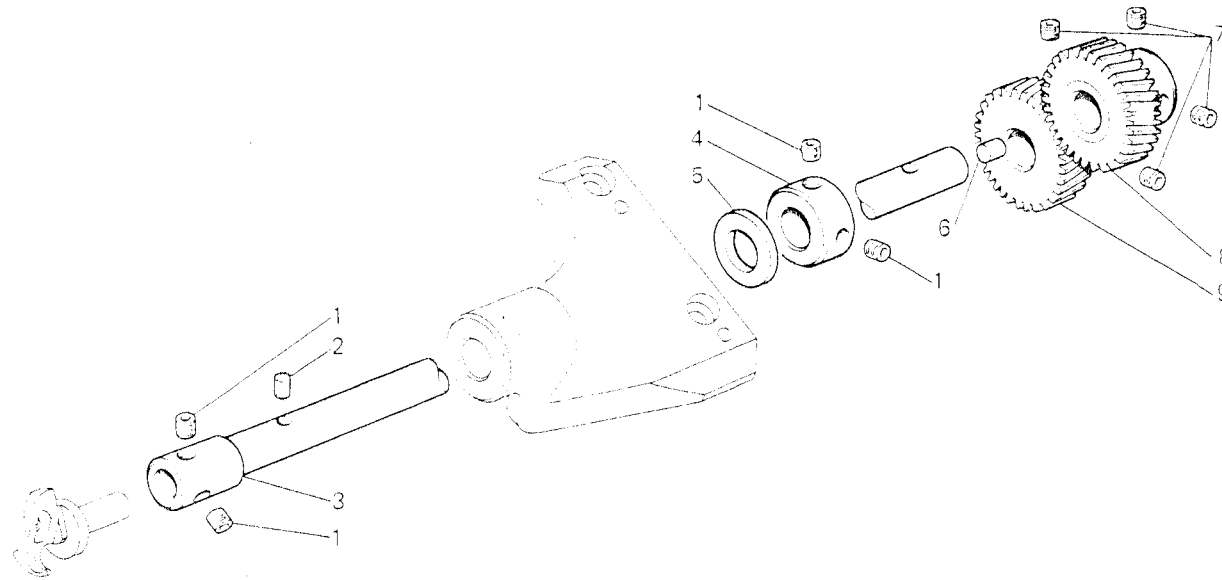
| Fig. N. Abb. N. | Part. N. Pezza N. Bestell N. Pieza N. | Qt. Anzahl | DESCRIZIONE | DESCRIPTION | DESCRIPTION | BENENNUNG | DESCRIPCION |
|--------------------|--|---------------|------------------------------|---------------------------------|---------------------------|-----------|-------------|
| ★ | 308816-4-00 | 1 | gruppo porta griffa | feed dog holder assembly | groupe porte griffe | | |
| ● | 308286-4-10 | 1 | gruppo leva | lever assembly | groupe levier | | |
| 1 | 202486-0-10 | 1 | vite | screw | vis | | |
| 2 | 301519-2-11 | 1 | giunto con vite | joint with screw | joint avec vis | | |
| 3 | 742813-0-00 | 1 | vite | screw | vis | | |
| 4 | 308285-2-02 | 1 | perno con vite | pin with screw | pivot avec vis | | |
| 5 | 308283-2-10 | 1 | leva comando porta griffa | lever | levier | | |
| 6 | 729013-2-00 | 2 | vite | screw | vis | | |
| 7 | 308815-2-00 | 1 | supporto con viti | support with screw | support avec vis | | |
| 8 | 304640-0-10 | 1 | vite | screw | vis | | |
| 9 | 303484-0-10 | 1 | cuscinetto | bearing | coussinet | | |
| 10 | 301586-0-10 | 1 | tappo | plug | bouchon | | |
| 11 | 308814-0-00 | 1 | perno | pin | pivot | | |
| 12 | 746406-2-00 | 1 | dado | nut | écrou | | |
| 13 | 308294-0-10 | 1 | limitatore olio | oil limiter | limiteur huile | | |
| 14 | 727215-2-00 | 1 | vite | screw | vis | | |
| 15 | 304612-0-11 | 1 | perno eccentrico | eccentric pin | pivot excentrique | | |
| 16 | 304684-0-10 | 1 | vite fissa griffa | screw | vis | | |
| 17 | 704406-0-00 | 1 | rondella | washer | rondelle | | |
| 18 | 304616-0-11 | 1 | squadretta porta griffa | bracket | équerre | | |
| 19 | 727215-0-00 | 2 | vite | screw | vis | | |
| 20 | 206708-0-00 | 2 | dosatore olio | oil dosimeter | doseur huile | | |
| 21 | 728232-0-00 | 1 | vite | screw | vis | | |
| 22 | 309839-2-01 | 1 | anello di registro con viti | adjustment screw | bague de réglage | | |
| 23 | 745136-2-00 | 3 | vite | screw | vis | | |
| 24 | 309838-2-01 | 1 | anello di registro con viti | adjustment ring with screw | bague de réglage avec vis | | |
| 25 | 308806-4-11 | 1 | contraibera trasporto compl. | transport countershaft assembly | axe transport compl. | | |
| 26 | 745812-2-00 | 1 | vite | screw | vis | | |
| 27 | 746408-2-00 | 1 | dado | nut | écrou | | |
| 28 | 704419-0-00 | 1 | rondella | washer | rondelle | | |
| 29 | 303893-0-10 | 1 | blocchetto scorrevole | block | bloc | | |
| 30 | 303858-0-10 | 1 | braccio | arm | bras | | |
| 31 | 308029-2-00 | 1 | eccentrico con viti | eccentric with screw | excentrique avec vis | | |
| 32 | 704347-0-00 | 1 | rondella | washer | rondelle | | |
| 33 | 308287-0-00 | 1 | anello di tenuta | retainer ring | bague d'étanchéité | | |
| 34 | 704846-0-00 | 1 | rondella | washer | rondelle | | |
| 35 | 308891-0-00 | 1 | cappuccio testa bussola | cap | capuchon | | |
| 36 | 308119-0-00 | 1 | anello di tenuta | retainer ring | bague d'étanchéité | | |



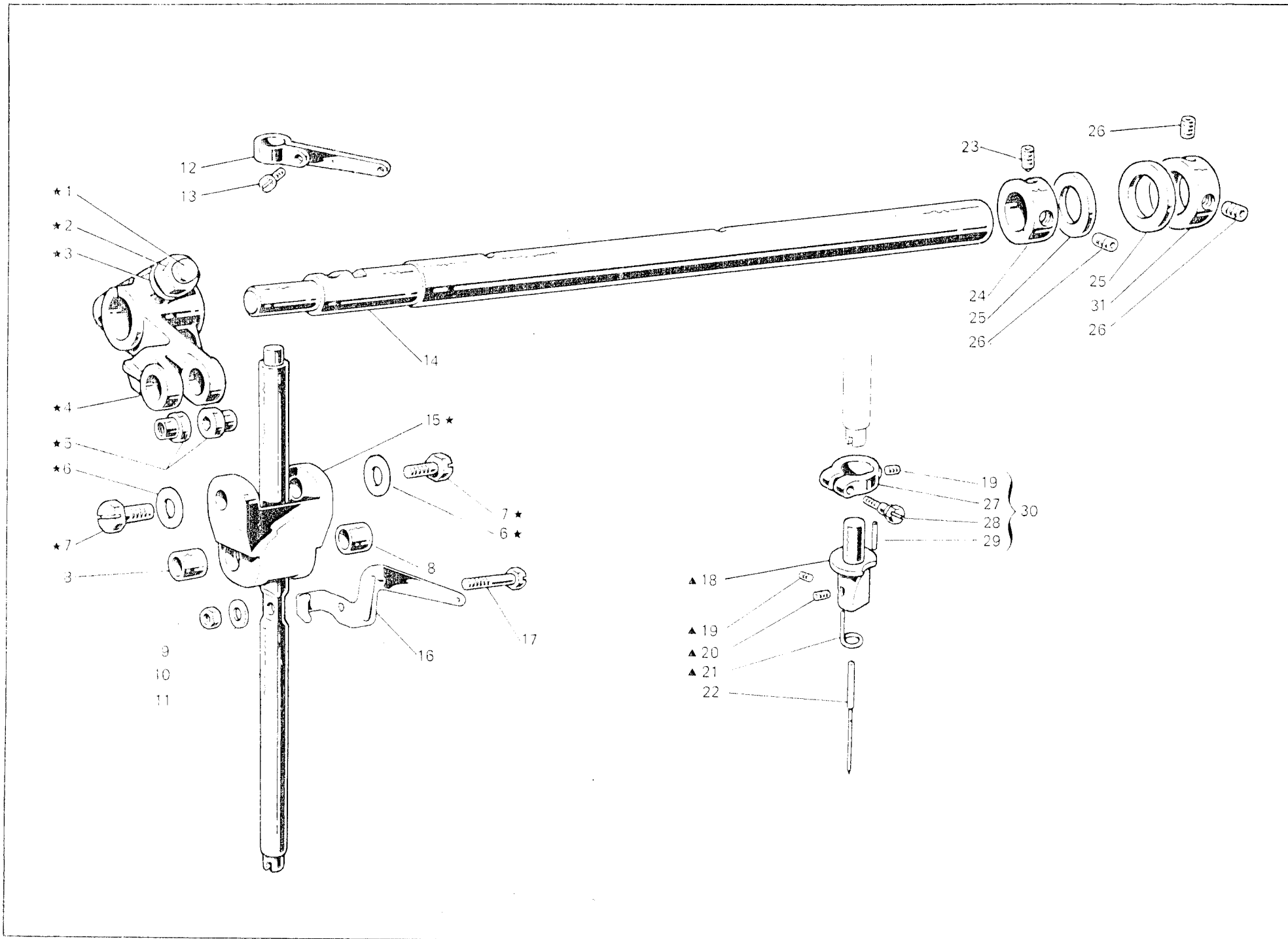
| Fig. N. Abb. N. | Part. Pieça Bestell Pieza N. | N. N. N. N. | Qt. Anzahl | DESCRIZIONE | DESCRIPTION | DESCRIPTION | BENENNUNG | DESCRIPCION |
|--------------------|---------------------------------------|----------------------|---------------|-----------------------------|----------------------------|----------------------------|-----------|-------------|
| ★ | 308013-4-02 | | 1 | bussola destra completa | right bush assembly | bague droite complète | | |
| ● | 308047-4-00 | | 1 | volantino completo | handwheel assembly | volant complet | | |
| ■ | 308178-4-01 | | 1 | gruppo biella principale | main con-rod assembly | groupe bielle principale | | |
| 1 | 308855-0-00 | | 1 | vite | screw | vis | | |
| 2 | 308174-3-01 | | 1 | biella principale completa | main con-rod assembly | bielle principale complète | | |
| 3 | 741056-0-00 | | 4 | vite | screw | vis | | |
| 4 | 302272-0-10 | | 2 | settore | sector | secteur | | |
| 5 | 704869-0-00 | | 1 | rondella | washer | rondelle | | |
| 6 | 745815-2-00 | | 2 | vite | screw | vis | | |
| 7 | 308084-2-00 | | 1 | anello di registro con viti | adjustment ring with screw | bague de réglage avec vis | | |
| 8 | 746408-2-00 | | 1 | dado | nut | écrou | | |
| 9 | 705013-0-00 | | 1 | rondella | washer | rondelle | | |
| 10 | 745812-2-00 | | 2 | vite | screw | vis | | |
| 11 | 308159-2-01 | | 1 | manovella | crank | manivelle | | |
| 12 | 308166-0-00 | | 1 | perno | pin | pivot | | |
| 13 | 308161-0-00 | | 2 | vite | screw | vis | | |
| 14 | 308149-0-01 | | 2 | rondella | washer | rondelle | | |
| 15 | 308162-0-00 | | 2 | dado | nut | écrou | | |
| 16 | 308127-0-00 | | 1 | guarnizione | gasket | garniture | | |
| 17 | 308012-2-10 | | 1 | bussola | bush | bague | | |
| 18 | 730054-2-00 | | 1 | vite per volantino | screw for handwheel | vis pour volant | | |
| 19 | 308389-0-00 | | 1 | anello elastico | spring ring | anneau ressort | | |
| 20 | 700596-0-00 | | 1 | anello di tenuta | retainer ring | bague d'étanchéité | | |
| 21 | 742222-2-00 | | 3 | vite | screw | vis | | |
| 22 | 308197-0-00 | | 1 | puleggia | pulley | poulie | | |
| 23 | 308410-0-00 | | 1 | volantino | handwheel | volant | | |
| 24 | 741984-2-00 | | 3 | vite | screw | vis | | |
| 25 | 308199-0-00 | | 1 | flangia | flange | flasque | | |
| 26 | 729044-2-00 | | 1 | vite | screw | vis | | |



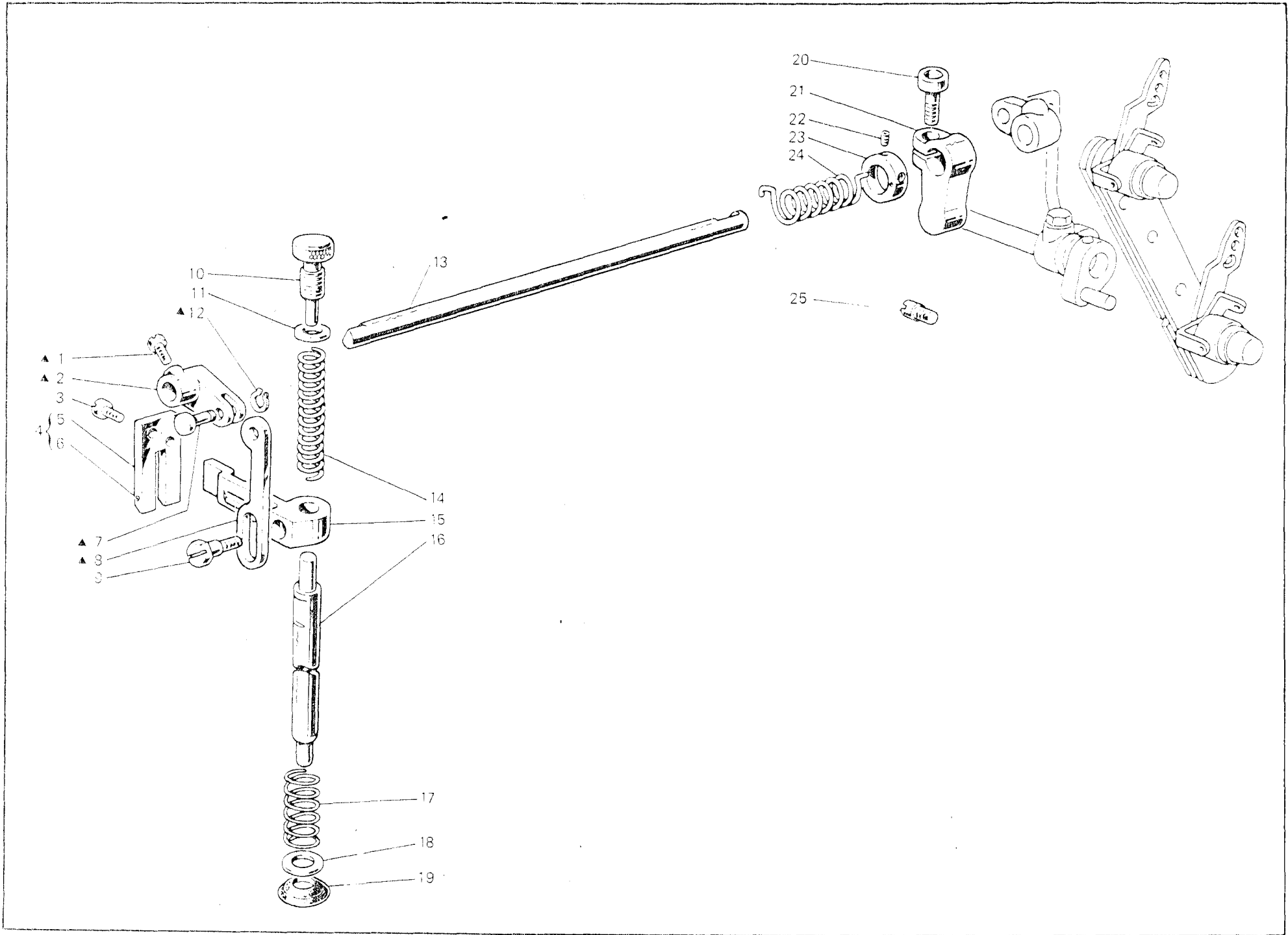
| Fig. N. Abb. N. | Part. N. Pieça N. Bestell N. Pieça N. | Qt. Anzahl | DESCRIZIONE | DESCRIPTION | DESCRIPTION | BENENNUNG | DESCRIPCION |
|--------------------|--|---------------|---|---------------------------------------|--|-----------|-------------|
| * | 309713-4-01 | 1 | gruppo albero inf. compl. (con fig. 1) | lower shaft assembly (with fig. 1) | arbre inférieur complet (avec fig. 1) | | |
| 1 | 308363-4-01 | 1 | semialbero inf. sinistro compl. | left lower half-shaft assembly | semi-arbre in. gauche compl. | | |
| 2 | 704814-0-00 | 1 | rondella | washer | rondelle | | |
| 3 | 746612-2-00 | 1 | dado | nut | écrou | | |
| 4 | 308774-2-00 | 1 | piastra disco | disc plate | plaque | | |
| 5 | 303458-0-12 | 1 | bussola | bush | bague | | |
| 6 | 724441-0-00 | 4 | vite | screw | vis | | |
| 7 | 308281-0-00 | 1 | vite di registro | screw | vis | | |
| 8 | 308390-2-10 | 1 | semialbero | half-shaft | semi-arbre | | |
| 9 | 308278-0-01 | 1 | perno | pin | pivot | | |
| 10 | 308780-2-00 | 1 | vite di registro | adjustment screw | vis de réglage | | |
| 11 | 308714-3-01 | 1 | semialbero inf. destro | right lower half-shaft | semi-arbre inf. droite | | |
| 12 | 745827-2-00 | 4 | vite per manicotto | screw for coupling | vis pour manchon | | |
| | 308015-0-00 | 1 | manicotto | coupling | manchon | | |



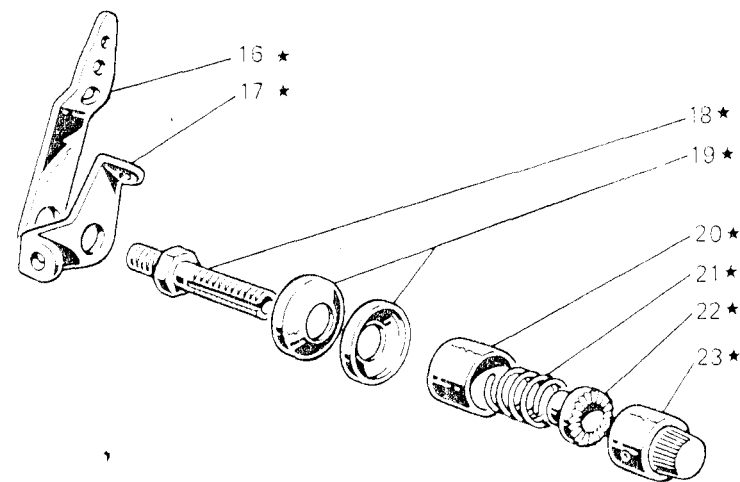
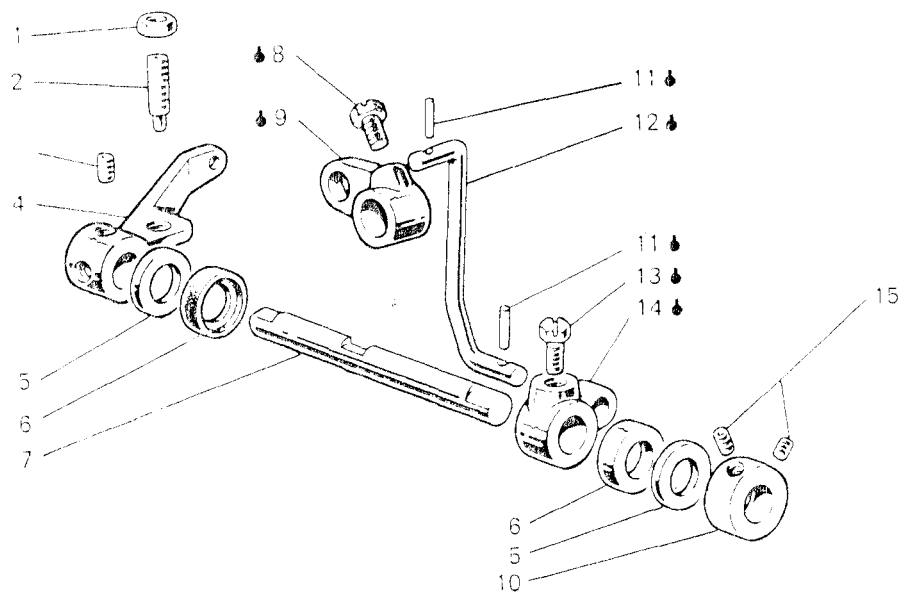
| Fig. N. Abb. N. | Part. N. Pezce N. Bestell N. Pieza N. | Qt. Anzahl | DESCRIZIONE | DESCRIPTION | DESCRIPTION | BENENNUNG | DESCRIPCION |
|--------------------|--|---------------|-----------------------------|------------------------------|----------------------------|-----------|-------------|
| 1 | 745812-2-00 | 4 | vite | screw | vis | | |
| 2 | 206708-0-00 | 1 | dosatore olio | oil dosimeter | doseur huile | | |
| 3 | 308754-2-00 | 1 | albero porta crochet compl. | looper holder shaft assembly | arbre porte crochet compl. | | |
| 4 | 303899-0-11 | 1 | anello di registro | adjustment ring | bague de réglage | | |
| 5 | 705230-0-00 | 1 | rondella | washer | rondelle | | |
| 6 | 302333-0-10 | 2 | tappo | plug | bouchon | | |
| 7 | 729013-2-00 | 4 | vite | screw | vis | | |
| 8 | 303897-2-10 | 1 | ingranaggio condotto | gear | engrenage | | |
| 9 | 303894-0-10 | 1 | ingranaggio conduttore | gear | engrenage | | |



| Fig. N. Abb. N. | Part. N. Pezza N. Bestell N. Plaza N. | Ct. Anzahl | DESCRIZIONE | DESCRIPTION | DESCRIPTION | BENENNUNG | DESCRIPCION |
|--------------------|--|---------------|--------------------------------|----------------------------|------------------------------------|-----------|-------------|
| ★ | 308006-4-00 | 1 | gruppo manov. giunto barra ago | crank and joint assembly | groupe maniv. joint barre-aiguille | | |
| ▲ | 303184-4-10 | 1 | morsetto porta aghi completo | needle clamp assembly | porte-aiguille complet | | |
| 1 | 308855-0-00 | 1 | perno a vite | threaded pin | pivot à vis | | |
| 2 | 746408-2-00 | 1 | dado | nut | écrou | | |
| 3 | 705013-0-00 | 1 | rondella | washer | rondelle | | |
| 4 | 308036-2-00 | 1 | manovella completa | crank assembly | manivelle compl. | | |
| 5 | 308037-0-00 | 2 | perno superiore | upper pin | pivot supérieur | | |
| 6 | 704210-4-00 | 2 | rondella | washer | rondelle | | |
| 7 | 308039-0-01 | 2 | vite | screw | vis | | |
| 8 | 308041-0-00 | 2 | bussofa inferiore | lower bush | bague inférieur | | |
| 9 | 302338-0-10 | 1 | dado | nut | écrou | | |
| 10 | 703005-0-00 | 1 | rondella | washer | rondelle | | |
| 11 | 308220-0-00 | 1 | barra ago | needle bar | barre-aiguille | | |
| 12 | 308400-2-01 | 1 | tendifilo superiore | upper thread take-up | tendeur du fil supérieur | | |
| 13 | 742311-2-00 | 1 | vite | screw | vis | | |
| 14 | 308851-2-01 | 1 | albero superiore | upper shaft | arbre supérieur | | |
| 15 | 308038-0-10 | 1 | giunto barra ago | needle bar joint | joint barre-aiguille | | |
| 16 | 308401-0-20 | 1 | tendifilo inferiore | lower thread take-up | tendeur du fil inférieur | | |
| 17 | 308042-0-00 | 1 | perno per barra ago | pin for needle bar | pivot pour barre-aiguille | | |
| 18 | 303183-2-10 | 1 | morsetto porta aghi | needle clamp | porte-aiguille | | |
| 19 | 745001-2-00 | 2 | vite | screw | vis | | |
| 20 | 745800-2-00 | 1 | vite | screw | vis | | |
| 21 | 303465-0-10 | 1 | passafilo | thread guide | passe-fil | | |
| 22 | 766200-6-11 | 1 | ago RIM 64 fin. 110 | needle RIM 64 size 110 | aiguille RIM 64 jauge 110 | | |
| 23 | 730033-2-00 | 1 | vite | screw | vis | | |
| 24 | 309831-2-00 | 1 | anello di registro con viti | adjustment ring with screw | bague de réglage avec vis | | |
| 25 | 704869-0-00 | 2 | rondella | washer | rondelle | | |
| 26 | 729013-2-00 | 3 | vite | screw | vis | | |
| 27 | 302591-2-11 | 1 | fascetta per barra ago | clamp for needle bar | bride pour barre-aiguille | | |
| 28 | 302352-0-10 | 1 | vite | screw | vis | | |
| 29 | 303174-0-10 | 1 | spinetta | pin | goupille | | |
| 30 | 303171-4-10 | 1 | fascetta completa | clamp assembly | bride complète | | |
| 31 | 309830-2-00 | 1 | anello di registro con viti | adjustment ring with screw | bague de réglage avec vis | | |

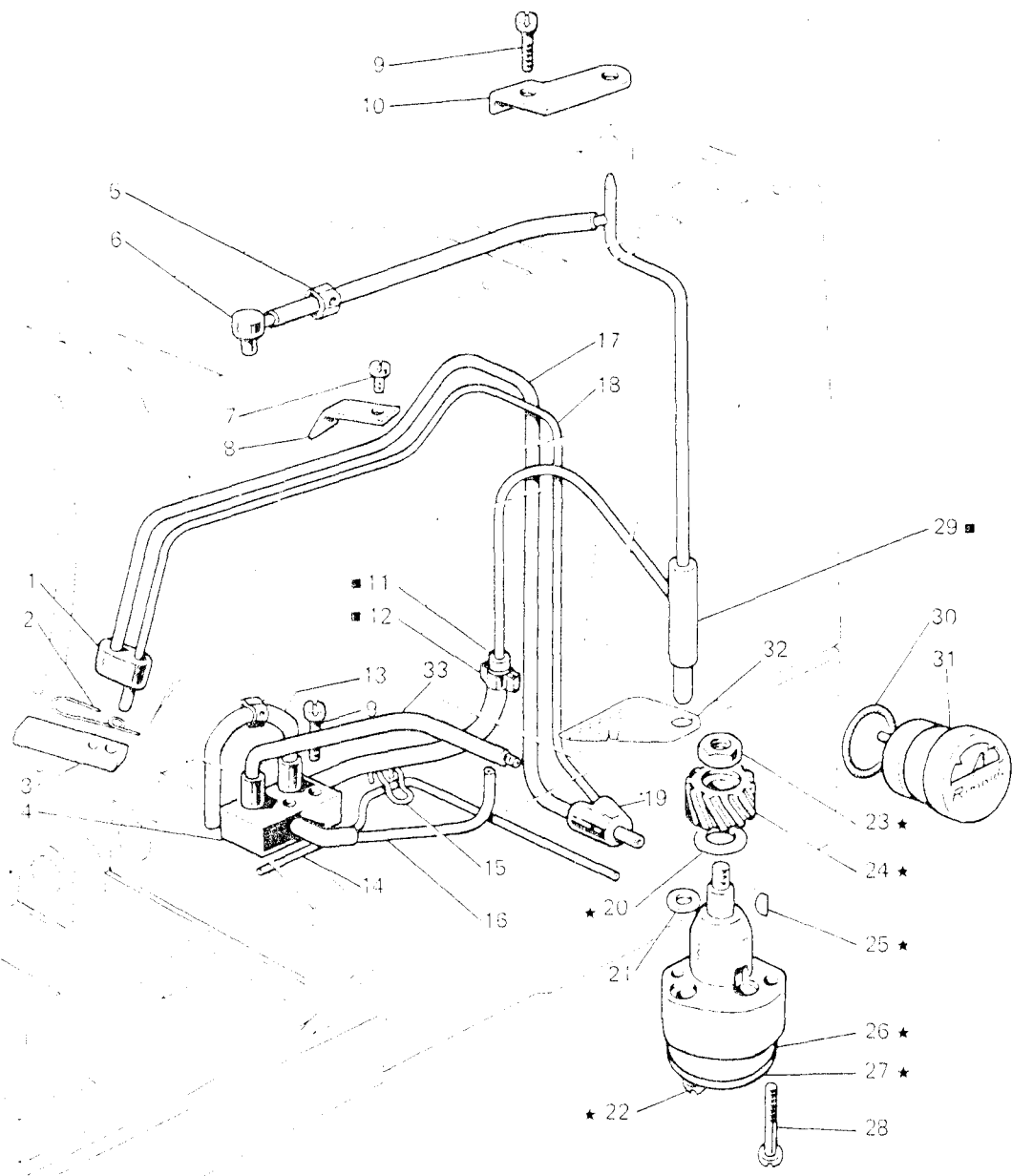


| Fig. N. Ausb. | Part. N. Pezzi | Q. Anzahl | DESCRIZIONE | DESCRIPTION | DESCRIPTION | BENENNUNG | DESCRIPTION |
|------------------|-------------------|--------------|--------------------------------|------------------------|-------------------------------|-----------|-------------|
| ▲ | 308060-4-00 | 1 | gruppo manov. tirante premist. | presser crank assembly | groupe maniv. tirant presseur | | |
| 1 | 740632-2-00 | 1 | vite | screw | vis | | |
| 2 | 308059-0-00 | 1 | manovella | crank | manivelle | | |
| 3 | 721494-2-00 | 2 | vite fissa piastra | plate screw | vis blocage plaque | | |
| 4 | 308052-4-00 | 1 | piastra guida barra compl. | plate assembly | plaque complète | | |
| 5 | 308056-0-01 | 1 | piastra guida barra | plate | plaque | | |
| 6 | 707240-0-00 | 1 | spina elastica | split pin | goupille réglable | | |
| 7 | 308058-0-00 | 1 | spina | pin | goupille | | |
| 8 | 308057-0-00 | 1 | tirante per alza piedino | presserfoot tie-rod | tirant soulev. pied-presseur | | |
| 9 | 740444-2-00 | 1 | vite fissa slitta | screw | vis | | |
| 10 | 302060-0-11 | 1 | pomolo di regolazione | adjustment knob | potiveau de réglage | | |
| 11 | 302344-0-10 | 1 | rondella | washer | rondelle | | |
| 12 | 700205-0-00 | 1 | anello elastico | spring ring | anneau ressort | | |
| 13 | 302234-0-10 | 1 | albero | shaft | arbre | | |
| 14 | 302059-0-10 | 1 | molla premi piedino | spring | ressort | | |
| 15 | 308055-2-00 | 1 | guida a forcella | fork guide | guide a fourchette | | |
| 16 | 308061-0-01 | 1 | barra porta piedino | presserfoot bar | barre porte pied-presseur | | |
| 17 | 308148-0-00 | 1 | molla | spring | ressort | | |
| 18 | 704236-2-00 | 1 | rondella | washer | rondelle | | |
| 19 | 308054-0-01 | 1 | paraolio | oil retainer | pare-huile | | |
| 20 | 744332-2-00 | 1 | vite | screw | vis | | |
| 21 | 308412-2-02 | 1 | fascetta di fermo con vite | clamp with screw | bride de fixation avec vis | | |
| 22 | 745827-2-00 | 2 | vite | screw | vis | | |
| 23 | 304767-2-11 | 1 | anello per molla | ring | bague | | |
| 24 | 308098-0-00 | 1 | molla di torsione | spring | ressort de torsion | | |
| 25 | 308007-0-00 | 1 | perno filettato | threaded pin | pivot fileté | | |

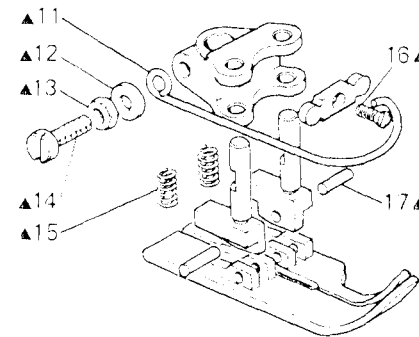
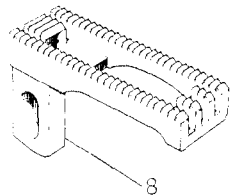
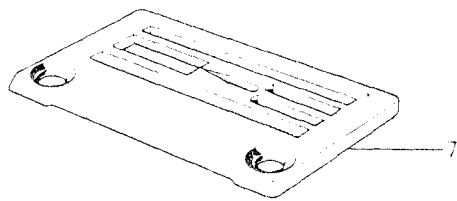
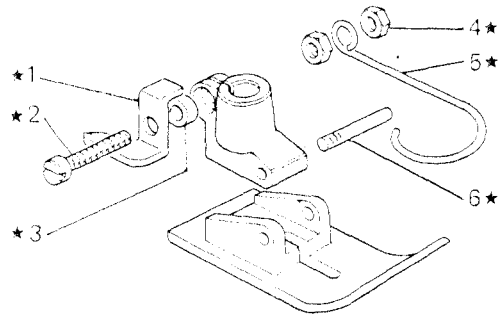


| Fig. N. Abb. N. | Part. N. Pièce N. Bestell N. Pieza N. | Qt. Anzahl | DESCRIZIONE | DESCRIPTION | DESCRIPTION | BENENNUNG | DESCRIPCION |
|--------------------|--|---------------|-----------------------------|---------------------------|------------------------------|-----------|-------------|
| ★ | 308522-4-00 | 1 | gruppo tensioni | tension assembly | groupe tension | | |
| ⚙ | 308320-4-00 | 1 | tirante con leva | tie-rod with lever | tirant avec levier | | |
| 1 | 746204-0-00 | 1 | dado | nut | écrou | | |
| 2 | 729884-2-00 | 1 | vite | screw | vis | | |
| 3 | 729034-2-00 | 2 | vite per leva | screw for lever | vis pour levier | | |
| 4 | 308062-2-01 | 1 | leva comando alza piedino | presserfoot control lever | levier soulèv. pied-presseur | | |
| 5 | 704240-2-00 | 2 | rondella | washer | rondelle | | |
| 6 | 304763-0-10 | 2 | anello di tenuta | retainer ring | bague d'étanchéité | | |
| 7 | 308996-0-02 | 1 | albero comando alza piedino | shaft | arbre | | |
| 8 | 740632-2-00 | 1 | vite | screw | vis | | |
| 9 | 302232-0-10 | 1 | leva superiore | upper lever | levier supérieur | | |
| 10 | 302284-2-10 | 1 | leva sblocca tensione | lever | levier | | |
| 11 | 707241-0-00 | 1 | spina elastica | split pin | goupille réglable | | |
| 12 | 308321-0-00 | 1 | tirante | tie-rod | tirant | | |
| 13 | 740034-2-00 | 1 | vite per leva | screw for lever | vis pour levier | | |
| 14 | 302238-0-10 | 1 | leva per tirante | tie-rod lever | levier pour tirant | | |
| 15 | 729012-2-00 | 2 | vite | screw | vis | | |
| 16 | 308501-0-01 | 1 | passafilo | thread guide | passe-fil | | |
| 17 | 308503-0-01 | 1 | guidafilo | thread guide | guide-fil | | |
| 18 | 308549-0-00 | 1 | perno a vite | threaded pin | pivot à vis | | |
| 19 | 300218-0-10 | 2 | disco tensione | tension disc | disque tension | | |
| 20 | 202556-0-00 | 1 | scodellino | cup | cuvette | | |
| 21 | 200713-0-10 | 1 | molla | spring | ressort | | |
| 22 | 202229-0-10 | 1 | bussola superiore | upper bush | bague supérieure | | |
| 23 | 202558-2-00 | 1 | pomolo | knob | pommeau | | |

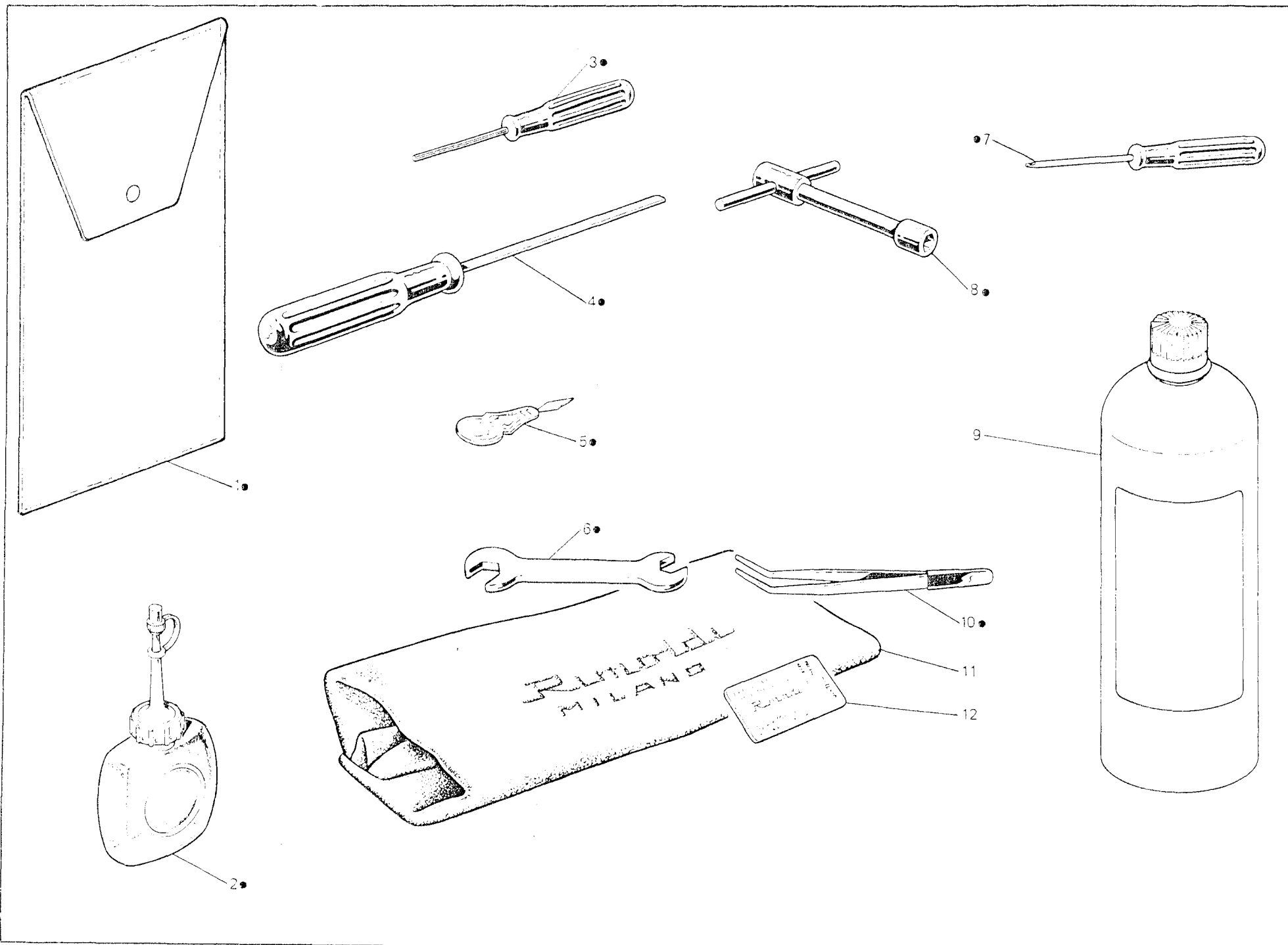
| Fig. N. Abb. N. | Part. N. Pieza N. Bestell. N. Pieza N. | Cat. Anzahl | DESCRIZIONE | DESCRIPTION | DESCRIPTION | BENENNUNG | DESCRIPCION |
|--------------------|---|----------------|--------------------------|-----------------------|-------------------------|-----------|-------------|
| ● | 308588-4-10 | 1 | bacinella olio completa | oil sump assembly | réservoir huile complet | | |
| 1 | 308125-0-01 | 1 | guarnizione | gasket | garniture | | |
| 2 | 308576-2-20 | 1 | bacinella | oil sump | réservoir | | |
| 3 | 308002-0-00 | 2 | piastrella per bacinella | sheet for oil sump | plaque pour réservoir | | |
| 4 | 308331-4-00 | 1 | tappo completo | plug assembly | bouchon complet | | |
| 5 | 721484-2-00 | 1 | vite | screw | vis | | |
| 6 | 308209-0-00 | 1 | dischetto | disc | disque | | |
| 7 | 308206-0-00 | 1 | filtro olio | oil filter | filtre huile | | |
| 8 | 308210-0-00 | 1 | cilindretto | cylinder | cylindre | | |
| 9 | 308208-0-00 | 1 | tappo | plug | bouchon | | |
| 10 | 722411-2-00 | 3 | vite | screw | vis | | |
| 11 | 701134-0-00 | 1 | guarnizione | gasket | garniture | | |
| 12 | 308957-0-00 | 1 | clip | clip | clip | | |
| 13 | 308213-0-00 | 1 | feltro | felt | feutre | | |
| 14 | 722453-2-00 | 6 | vite fiss. bacinella | oil sump fixing screw | vis blocage réservoir | | |
| 15 | 308179-0-00 | 1 | guarnizione | gasket | garniture | | |
| 16 | 308379-0-00 | 1 | astina livello olio | stick | jauge niveau huile | | |
| 17 | 206665-2-00 | 1 | galleggiante | float | floatteur | | |
| 18 | 705977-0-00 | 1 | rondella | washer | rondelle | | |
| 19 | 206564-0-00 | 1 | tappo | plug | bouchon | | |
| 20 | 206560-0-10 | 1 | coperchio | cover | couvercle | | |
| 21 | 722063-2-00 | 2 | vite | screw | vis | | |
| 22 | 308226-0-02 | 1 | guida astina | guide for stick | guide barre | | |
| 23 | 703003-0-00 | 1 | rondella elastica | spring washer | rondelle elastique | | |
| 24 | 740240-0-00 | 1 | vite | screw | vis | | |
| 25 | 308113-0-00 | 1 | anello | ring | anneau | | |
| 26 | 311395-0-00 | 1 | guarnizione | gasket | garniture | | |
| 27 | 701051-0-00 | 1 | guarnizione | gasket | garniture | | |
| 28 | 206645-0-00 | 1 | molla a spirale | spring | ressort | | |
| 29 | 206559-0-01 | 1 | filtro olio | oil filter | filtre huile | | |



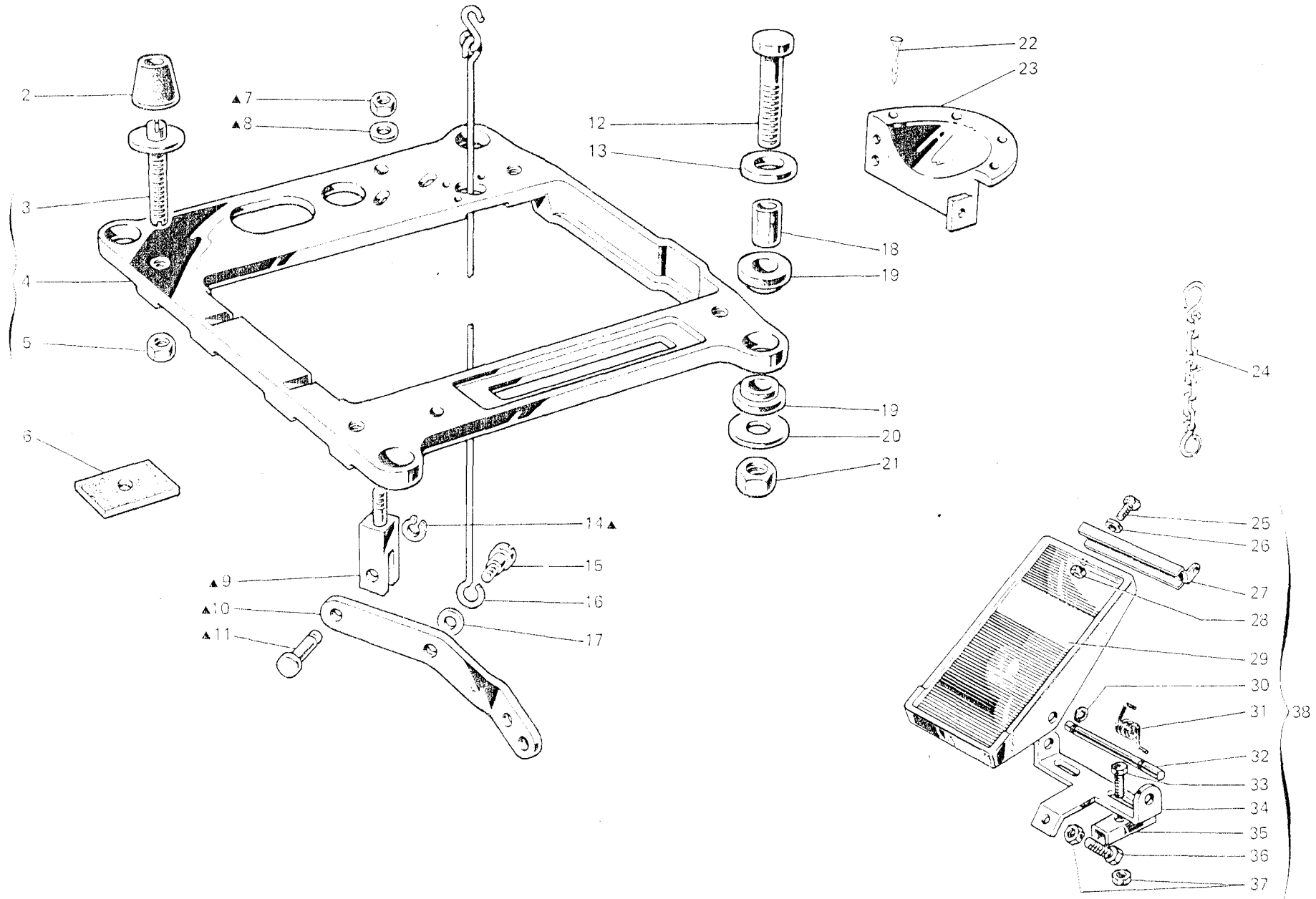
| Fig. N. Abb. N. | Part. N. Piece N. Bestel N. Pieza N. | Qt. Anzahl | DESCRIZIONE | DESCRIPTION | DESCRIPTION | BENENNUNG | DESCRIPCION |
|--------------------|---|---------------|------------------------------|--------------------------|----------------------------|-----------|-------------|
| ■ | 310500-4-00 | 1 | raccordo mandata olio compl. | pipe connection assembly | raccord envoi huile compl. | | |
| ★ | 308105-4-03 | 1 | pompa olio completa | oil pump assembly | pompe à huile complète | | |
| 1 | 308123-0-00 | 1 | raccordo superiore | upper pipe connection | raccord supérieur | | |
| 2 | 307990-0-00 | 1 | molletta | spring | ressort | | |
| 3 | 307991-0-00 | 1 | feltro | felt | feutre | | |
| 4 | 308114-2-02 | 1 | distributore | distributor | distributeur | | |
| 5 | 308040-2-00 | 1 | tubetto | pipe | tube | | |
| 6 | 308214-0-00 | 1 | raccordo mandata olio | pipe connection | raccord | | |
| 7 | 721424-2-00 | 1 | vite | screw | vis | | |
| 8 | 308184-0-00 | 1 | fascetta | clamp | bride | | |
| 9 | 721514-0-00 | 3 | vite | screw | vis | | |
| 10 | 308104-0-00 | 1 | piastrina | plate | plaquette | | |
| 11 | 308207-0-00 | 1 | tubetto | pipe | tube | | |
| 12 | 308043-0-00 | 1 | fascetta | clamp | bride | | |
| 13 | 310561-2-00 | 1 | tubetto | pipe | tube | | |
| 14 | 790325-0-00 | 1 | tubetto | pipe | tube | | |
| 15 | 308211-0-00 | 2 | clip | clip | clip | | |
| 16 | 790315-0-00 | 1 | tubetto | pipe | tube | | |
| 17 | 790342-0-00 | 1 | tubetto recupero olio | pipe | tube | | |
| 18 | 790242-0-00 | 1 | tubetto recupero olio | pipe | tube | | |
| 19 | 308185-0-00 | 1 | raccordo inferiore | lower pipe connection | raccord inférieur | | |
| 20 | 704813-0-00 | 1 | rondella | washer | rondelle | | |
| 21 | 701004-0-00 | 1 | anello di tenuta | retainer ring | bague d'étanchéité | | |
| 22 | 741082-2-00 | 2 | vite | screw | vis | | |
| 23 | 733507-0-00 | 1 | dado | nut | écrou | | |
| 24 | 206555-0-01 | 1 | ingranaggio | gear | engrenage | | |
| 25 | 206557-0-00 | 1 | chiavetta | key | clavette | | |
| 26 | 308110-3-02 | 1 | corpo pompa aspirante | suction pump body | corps pompe admission | | |
| 27 | 308111-0-00 | 1 | coperchio pompa | pump cover | couvercle pompe | | |
| 28 | 741092-0-00 | 2 | vite fissaggio pompa | pump fixing screw | vis fixation pompe | | |
| 29 | 308180-2-00 | 1 | raccordo mandata olio | pipe connection | raccord | | |
| 30 | 701032-0-00 | 1 | anello di tenuta | retainer ring | bague d'étanchéité | | |
| 31 | 206669-2-02 | 1 | indicatore livello olio | oil level gauge | indicateur niveau huile | | |
| 32 | 305666-0-00 | 1 | lamierino | sheet | plaque | | |
| 33 | 790313-0-00 | 1 | tubetto | pipe | tube | | |



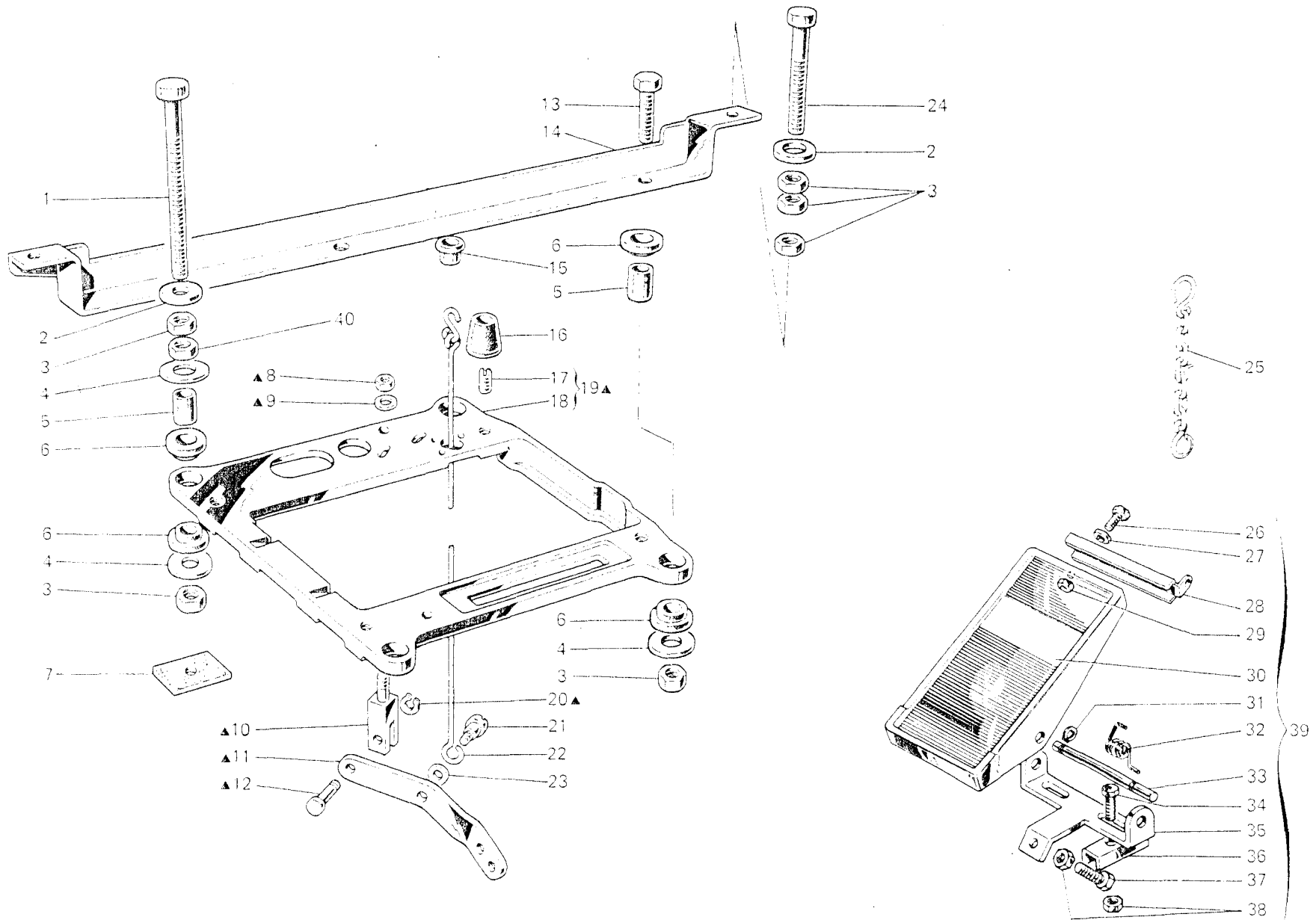
| Fig. N. Abb. N. | Part. N. Pieca N. Baste/N. N. Pieza N. | Qt. Anzahl | DESCRIZIONE | DESCRIPTION | DESCRIPTION | BENENNUNG | DESCRIPCION |
|--------------------|---|---------------|------------------------|----------------------|-----------------------|-----------|-------------|
| ★ | 306665-3-01 | 1 | piedino completo | presserfoot assembly | pied-presseur complet | | |
| 1 | 303442-0-11 | 1 | taglia catenella | chain cutting | coupe-chafnette | | |
| 2 | 741791-2-00 | 1 | vite | screw | vis | | |
| 3 | 303504-0-10 | 1 | distanziale | spacer | entretoise | | |
| 4 | 733504-2-00 | 2 | dado | nut | écrou | | |
| 5 | 990808-0-01 | 1 | salvadita | protection | protection | | |
| 6 | 300873-0-12 | 1 | spina filettata | pin | goupille | | |
| 7 | 303869-0-10 | 1 | piacca ago | needle plate | plaque à aiguille | | |
| 8 | 303860-0-10 | 1 | griffa | feed dog | griffe | | |
| 9 | 303868-0-10 | 1 | crochet inferiore | lower looper | crochet inférieur | | |
| 10 | 785356-0-40 | 1 | targhetta classe testa | head class plate | plaque classe tête | | |
| | | | SOLO A RICHIESTA | ONLY ON REQUEST | SEULEMENT SUR DEMANDE | | |
| ▲ | 306666-3-01 | 1 | piedino completo | presserfoot assembly | pied-presseur complet | | |
| 7 | 303902-0-10 | 1 | piacca ago | needle plate | plaque à aiguille | | |
| | 303907-0-10 | 1 | piacca ago | needle plate | plaque à aiguille | | |
| 8 | 303892-0-10 | 1 | griffa | feed dog | griffe | | |
| 11 | 990802-0-00 | 1 | salvadita | protection | protection | | |
| 12 | 704213-2-00 | 1 | rondella | washer | rondelle | | |
| 13 | 733002-2-00 | 1 | dado | nut | écrou | | |
| 14 | 742050-2-00 | 1 | vite | screw | vis | | |
| 15 | 304809-0-10 | 2 | molla | spring | ressort | | |
| 16 | 304807-0-11 | 1 | vite | screw | vis | | |
| 17 | 200469-0-10 | 2 | spina | pin | goupille | | |



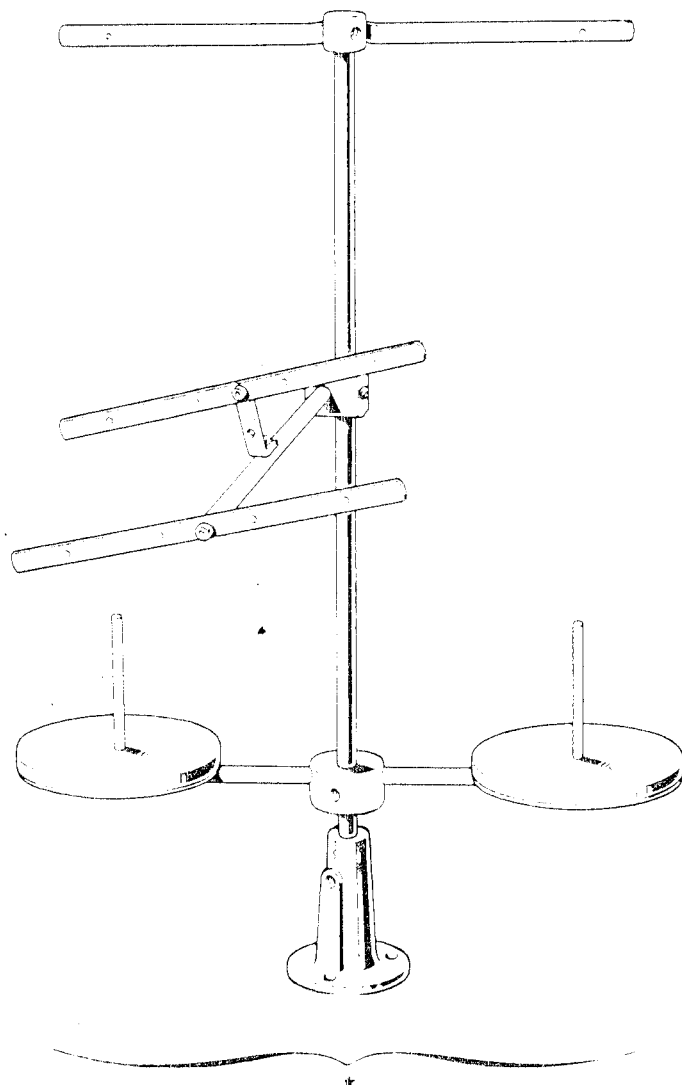
| Fig. N. Abb. N. | Part. Piece Bestell. Peza N. | Q.t. Anzahl | DESCRIZIONE | DESCRIPTION | DESCRIPTION | BENENNUNG | DESCRIPTION |
|--------------------|---------------------------------------|----------------|---|--|---|-----------|-------------|
| ① | 991408-4-02 | 1 | busta accessori completa | accessories envelope assembly | envelope accessoires complète | | |
| 1 | 991415-0-00 | 1 | busta accessori | accessories envelope | envelope accessoires | | |
| 2 | 990175-0-10 | 1 | oliatore | oiler | graisseur | | |
| 3 | 990474-0-11 | 1 | chiave esagonale da 1,5 mm | 1,5 mm hexagonal key | clé hexagonale de 1,5 mm | | |
| 4 | 990723-0-00 | 1 | cacciavite medio | screw-driver | tournevis moyen | | |
| 5 | 990188-0-10 | 1 | infila aghi | needles threading | enfiles, aiguilles | | |
| 6 | 990193-0-00 | 1 | chiave da 5-7 mm | 5-7 mm key | clé de 5-7 mm | | |
| 7 | 990069-0-00 | 1 | cacciavite piccolo | screw driver | petite tournevis | | |
| 8 | 990587-0-11 | 1 | chiave a tubo da 9 mm | 9 mm key | clé à tube de 9 mm | | |
| 9 | 991280-0-00 | 1 | lattina olio | oil container | bidon huile de | | |
| 10 | 990175-0-10 | 1 | pinza per infilatura | threading tweezers | pince pour enfilage | | |
| 11 | 990578-0-13 | 1 | cuffia protez. macchina | machine cover | couverture protection machine | | |
| 12 | ★ | 1 | bustina aghi | needles packet | paquette aiguilles | | |
| | | | ★ per l'ordinazione della bustina citare lo stesso simbolo dell'ago montato sulla testa | ★ to order packet of needles please specify symbol of needle fitted on machine | ★ pour commander un sachet d'aiguille donner le symbol de l'aiguille montée sur la tête | | |



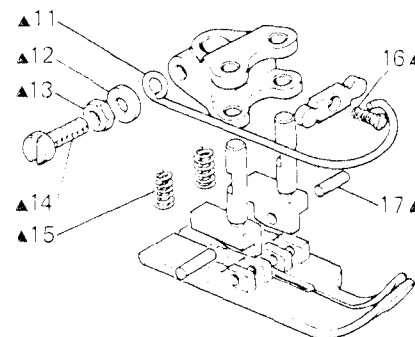
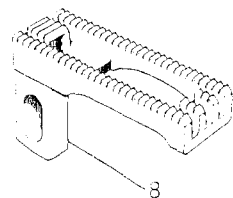
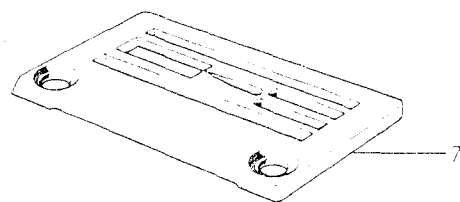
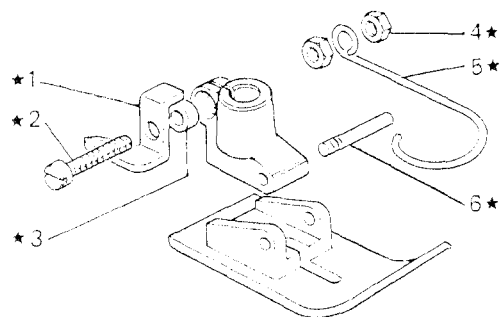
| Fig. N. Abb. N. | Part. N. Bestell N. Piece N. Pieza N. | Qt. Anzahl | DESCRIZIONE | DESCRIPTION | DESCRIPTION | BENENNUNG | DESCRIPCION |
|--------------------|--|---------------|---------------------------|-----------------------|-------------------------|-----------|-------------|
| | | | PIAZZAMENTO NORMALE | NORMAL SETTING | INSTALLATION NORMAL | | |
| ▲ | 991253-4-00 | 1 | supporto testa completo | head support assembly | support tête complet | | |
| 1 | 991251-4-00 | 1 | supporto testa con perno | head support with pin | support tête avec pivot | | |
| 2 | 990982-0-00 | 4 | ammortizzatore | snock absorber | amortisseur | | |
| 3 | 900694-0-11 | 4 | perno | pin | pivot | | |
| 4 | 991250-0-00 | 1 | supporto testa | head support | support tête | | |
| 5 | 733008-2-00 | 4 | dado | nut | écrou | | |
| 6 | 900203-0-10 | 4 | ammortizzatore per tavola | shock absorber | amortisseur pour table | | |
| 7 | 746409-2-00 | 1 | dado | nut | écrou | | |
| 8 | 704316-2-00 | 1 | rondella | washer | rondelle | | |
| 9 | 991256-0-00 | 1 | supportino per leva | support for lever | support pour levier | | |
| 10 | 991255-0-00 | 1 | leva | lever | levier | | |
| 11 | 991257-0-00 | 1 | perno | pin | pivot | | |
| 12 | 722905-2-00 | 4 | vite | screw | vis | | |
| 13 | 704346-2-00 | 4 | rondella | washer | rondelle | | |
| 14 | 700208-0-00 | 1 | anello elastico | spring ring | anneau ressort | | |
| 15 | 743541-2-00 | 1 | vite | screw | vis | | |
| 16 | 991259-3-00 | 1 | tirante | tie-rod | tirant | | |
| 17 | 704310-2-00 | 1 | rondella | washer | rondelle | | |
| 18 | 901102-0-00 | 4 | distanziale | spacer | entretoise | | |
| 19 | 901101-0-00 | 8 | ammortizzatore | snock absorber | amortisseur | | |
| 20 | 704345-2-00 | 4 | rondella | washer | rondelle | | |
| 21 | 733813-0-00 | 4 | dado | nut | écrou | | |
| 22 | 900201-0-10 | 7 | chiodini | rivets | clous | | |
| 23 | 990317-0-10 | 1 | protezione volante | handwheel protection | protection volant | | |
| 24 | 990179-4-11 | 1 | catenella | chain | chaînette | | |
| 25 | 720464-4-00 | 2 | vite | screw | vis | | |
| 26 | 704009-4-00 | 2 | rondella | washer | rondelle | | |
| 27 | 900926-0-00 | 1 | attacco | coupling | raccord | | |
| 28 | 733508-4-00 | 2 | dado | nut | écrou | | |
| 29 | 900931-0-00 | 1 | copertura | covering | couverture | | |
| 30 | 900918-0-00 | 2 | anello elastico | spring ring | anneau ressort | | |
| 31 | 900927-0-00 | 1 | molle | spring | ressort | | |
| 32 | 900928-0-00 | 1 | perno | pin | pivot | | |
| 33 | 720505-4-00 | 2 | vite | screw | vis | | |
| 34 | 900929-0-01 | 1 | supporto | support | support | | |
| 35 | 900920-0-00 | 2 | piastrina | plate | plaque | | |
| 36 | 720545-4-00 | 1 | vite | screw | vis | | |
| 37 | 733510-4-00 | 3 | dado | nut | écrou | | |
| 38 | 900925-4-01 | 1 | pedalina completa | pedal assembly | pédale complète | | |



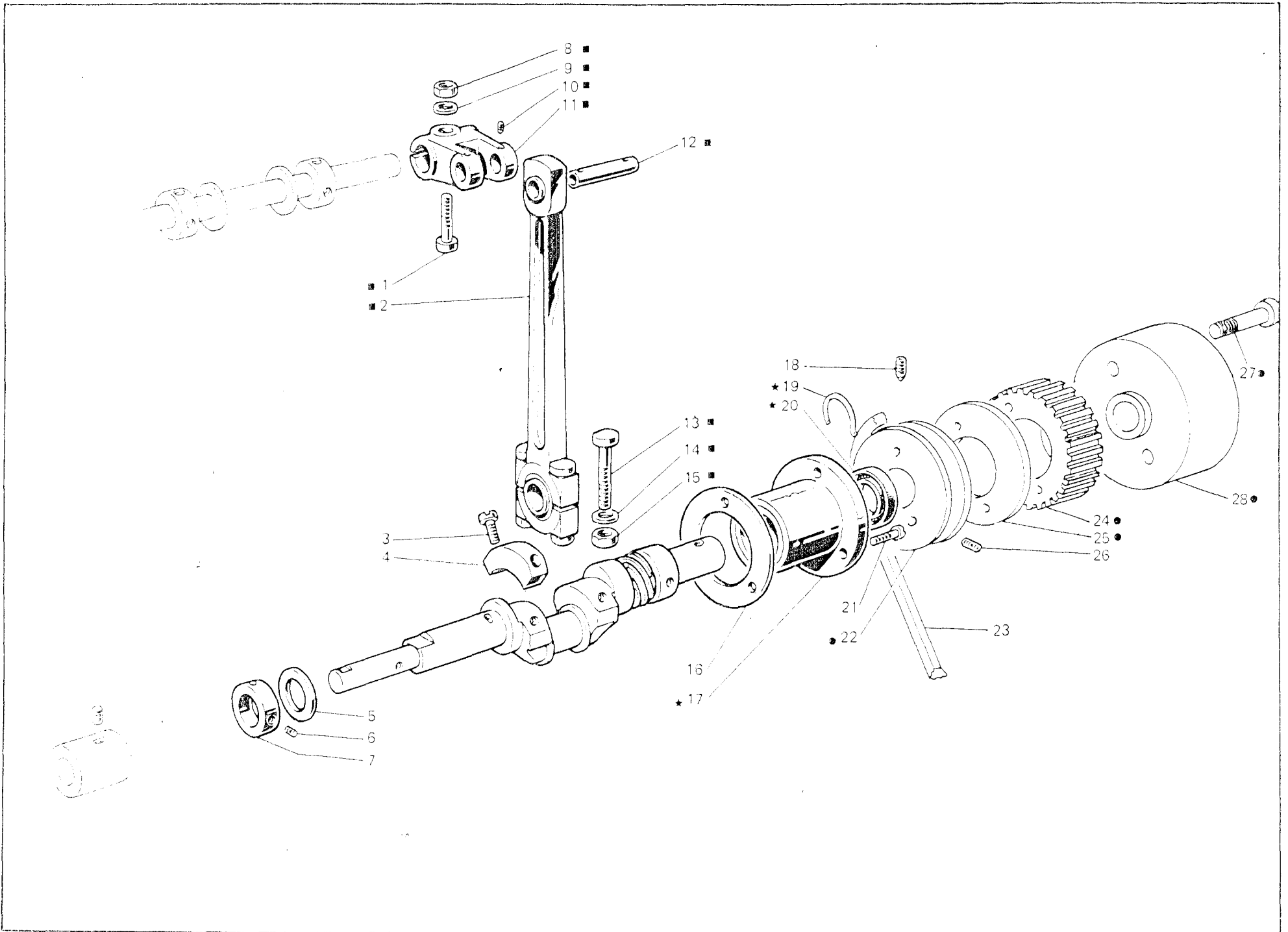
| Fig. N. Abb N. | Part. N. Pieça N. Besteíl N. Pieça N. | Qt. Anzahi | DESCRIZIONE | DESCRIPTION | DESCRIPTION | BENENNUNG | DESCRIPCION |
|-------------------|--|---------------|---------------------------|--------------------------|------------------------|-----------|-------------|
| | | | PIAZZAMENTO INCASSATO | SUBMERGED SETTING | INSTALLATION ENCASTREE | | |
| ▲ | 991254-4-00 | 1 | supporto testa completo | head support assembly | support tête complet | | |
| 1 | 722920-2-00 | 2 | vite | screw | vis | | |
| 2 | 704346-2-00 | 4 | rondella | washer | rondelle | | |
| 3 | 733813-0-00 | 10 | dado | nut | écrou | | |
| 4 | 704345-2-00 | 6 | rondella | washer | rondelle | | |
| 5 | 901102-0-00 | 4 | distanziale | spacer | entretoise | | |
| 6 | 901101-0-00 | 8 | ammortizzatore | shock absorber | amortisseur | | |
| 7 | 900203-0-10 | 4 | ammortizzatore per tavola | shock absorber | amortisseur pour table | | |
| 8 | 746409-2-00 | 1 | dado | nut | écrou | | |
| 9 | 704316-2-00 | 1 | rondella | washer | rondelle | | |
| 10 | 991256-0-00 | 1 | supportino per leva | support for lever | support pour levier | | |
| 11 | 991255-0-00 | 1 | leva | lever | levier | | |
| 12 | 991257-0-00 | 1 | perno | pin | pivot | | |
| 13 | 720546-0-00 | 2 | vite | screw | vis | | |
| 14 | 901251-2-00 | 1 | staffa | bracket | bride | | |
| 15 | 900204-0-10 | 1 | bussola | bush | bague | | |
| 16 | 990982-0-00 | 4 | ammortizzatore | shock absorber | amortisseur | | |
| 17 | 901253-0-00 | 4 | vite | screw | vis | | |
| 18 | 991250-0-00 | 1 | supporto testa | head support | support tête | | |
| 19 | 991252-4-00 | 1 | supporto testa con viti | head support with screws | support tête avec vis | | |
| 20 | 700208-0-00 | 1 | anello elastico | spring ring | anneau ressort | | |
| 21 | 743541-2-00 | 1 | vite | screw | vis | | |
| 22 | 991259-3-00 | 1 | tirante | tie-rod | tirant | | |
| 23 | 704310-2-00 | 1 | rondella | washer | rondelle | | |
| 24 | 722907-2-00 | 2 | vite | screw | vis | | |
| 25 | 990179-4-11 | 1 | catenella | chain | chaînette | | |
| 26 | 720464-4-00 | 2 | vite | screw | vis | | |
| 27 | 704009-4-00 | 2 | rondella | washer | rondelle | | |
| 28 | 900926-0-00 | 1 | attacco | coupling | raccord | | |
| 29 | 733508-4-00 | 2 | dado | nut | écrou | | |
| 30 | 900931-0-00 | 1 | copertura | covering | couverture | | |
| 31 | 900918-0-00 | 2 | anello elastico | spring ring | anneau ressort | | |
| 32 | 900927-0-00 | 1 | molla | spring | ressort | | |
| 33 | 900928-0-00 | 1 | perno | pin | pivot | | |
| 34 | 720505-4-00 | 2 | vite | screw | vis | | |
| 35 | 900929-0-01 | 1 | supporto | support | support | | |
| 36 | 900920-0-00 | 2 | piastrina | plate | plaquette | | |
| 37 | 720545-4-00 | 1 | vite | screw | vis | | |
| 38 | 733510-4-00 | 3 | dado | nut | écrou | | |
| 39 | 900925-4-01 | 1 | pedalina completa | pedal assembly | pédale complète | | |
| 40 | 733008-2-00 | 4 | dado | nut | écrou | | |



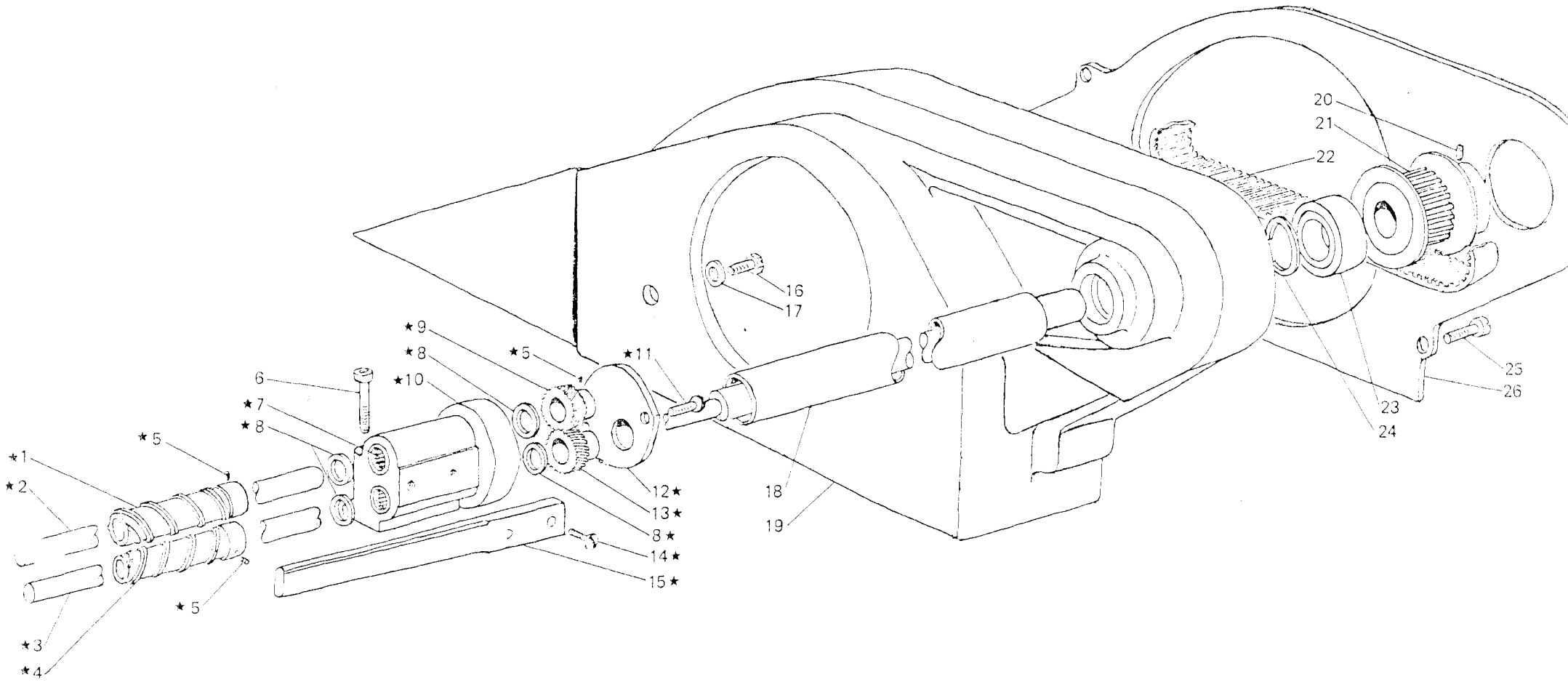
| Fig. N. Abb. | Part Pezza Beste. Pieza N. | Qt. Anzahl | DESCRIZIONE | DESCRIPTION | DESCRIPTION | BENENNUNG | DESCRIPCION |
|-----------------|-------------------------------------|---------------|-------------------------------|-------------------------|----------------------|-----------|-------------|
| * | 991100-5-01 | 1 | porta bobine compl.(1-2 fili) | bobbin carrier assembly | porte bobine complet | | |



| Fig. N. Abb. N. | Part. N. Pieza N. Beste N. Pieza N. | Ct. Anzahl | DESCRIZIONE | DESCRIPTION | DESCRIPTION | BENENNUNG | DESCRIPCION |
|--------------------|--|---------------|------------------------|----------------------|-----------------------|-----------|-------------|
| ★ | 306665-3-01 | 1 | pedino completo | presserfoot assembly | pied-presseur complet | | |
| 1 | 303442-0-11 | 1 | taglia catenella | chain cutting | coupe-chafnette | | |
| 2 | 741791-2-00 | 1 | vite | screw | vis | | |
| 3 | 303504-0-10 | 1 | distanziale | spacer | entretoise | | |
| 4 | 733504-2-00 | 2 | dado | nut | écrou | | |
| 5 | 990808-0-01 | 1 | salvadita | protection | protection | | |
| 6 | 300873-0-12 | 1 | spina filettata | pin | goupille | | |
| 7 | 303869-0-10 | 1 | placca ago | needle plate | plaque à aiguille | | |
| 8 | 303860-0-10 | 1 | griffa | feed dog | griffe | | |
| 9 | 305599-0-00 | 1 | crochet inferiore | lower looper | crochet inférieur | | |
| 10 | 780200-0-40 | 1 | targhetta classe testa | head class plate | plaque classe tête | | |
| | | | SOLO A RICHIESTA | ONLY ON REQUEST | SEULEMENT SUR DEMANDE | | |
| ▲ | 306666-3-01 | 1 | pedino completo | presserfoot assembly | pied-presseur complet | | |
| 7 | 303902-0-10 | 1 | placca ago | needle plate | plaque à aiguille | | |
| | 303907-0-10 | 1 | placca ago | needle plate | plaque à aiguille | | |
| 8 | 303892-0-10 | 1 | griffa | feed dog | griffe | | |
| 11 | 990802-0-00 | 1 | salvadita | protection | protection | | |
| 12 | 704213-2-00 | 1 | rondella | washer | rondelle | | |
| 13 | 733002-2-00 | 1 | dado | nut | écrou | | |
| 14 | 742050-2-00 | 1 | vite | screw | vis | | |
| 15 | 304809-0-10 | 2 | molla | spring | ressort | | |
| 16 | 304807-0-11 | 1 | vite | screw | vis | | |
| 17 | 200469-0-10 | 2 | spina | pin | goupille | | |



| Fig. N. Abb. N. | Part. Pezze Bestell Pieza | N. N. N. N. | Qt. Anzahl | DESCRIZIONE | DESCRIPTION | DESCRIPTION | BENENNUNG | DESCRIPTION |
|--------------------|------------------------------------|----------------------|---------------|-------------------------------|--------------------------------|----------------------------|-----------|-------------|
| ★ | 308013-4-02 | | 1 | bussola destra completa | right bush assembly | bague droite complète | | |
| ■ | 308178-4-01 | | 1 | gruppo biella principale | main con-rod assembly | groupe bielle principale | | |
| ● | 930844-4-00 | | 1 | volantino con puleggia compl. | handwheel with pulley assembly | volant avec poulie complet | | |
| 1 | 308855-0-00 | | 1 | vite | screw | vis | | |
| 2 | 308174-3-01 | | 1 | biella principale completa | main con-rod assembly | bielle principale complète | | |
| 3 | 741056-0-00 | | 4 | vite | screw | vis | | |
| 4 | 302272-0-10 | | 2 | settore | sector | secteur | | |
| 5 | 704869-0-00 | | 1 | rondella | washer | rondelle | | |
| 6 | 745815-2-00 | | 2 | vite | screw | vis | | |
| 7 | 308084-2-00 | | 1 | anello di registro con viti | adjustment ring with screw | bague de réglage avec vis | | |
| 8 | 746408-2-00 | | 1 | dado | nut | écrou | | |
| 9 | 705013-0-00 | | 1 | rondella | washer | rondelle | | |
| 10 | 745812-2-00 | | 2 | vite | screw | vis | | |
| 11 | 308159-2-01 | | 1 | manovella | crank | manivelle | | |
| 12 | 308166-0-00 | | 1 | perno | pin | pivot | | |
| 13 | 308161-0-00 | | 2 | vite | screw | vis | | |
| 14 | 308149-0-01 | | 2 | rondella | washer | rondelle | | |
| 15 | 308162-0-00 | | 2 | dado | nut | écrou | | |
| 16 | 308127-0-00 | | 1 | guarnizione | gasket | garniture | | |
| 17 | 308012-2-10 | | 1 | bussola | bush | bague | | |
| 18 | 730054-2-00 | | 1 | vite per volantino | screw for handwheel | vis pour volant | | |
| 19 | 308389-0-00 | | 1 | anello elastico | spring ring | anneau ressort | | |
| 20 | 700596-0-00 | | 1 | anello di tenuta | retainer ring | bague d'étanchéité | | |
| 21 | 742222-2-00 | | 3 | vite | screw | vis | | |
| 22 | 308197-0-00 | | 1 | puleggia | pulley | poulie | | |
| 23 | 770012-0-00 | | 1 | cinghia | belt | courroie | | |
| 24 | 930676-0-00 | | 1 | puleggia | pulley | poulie | | |
| 25 | 930846-0-00 | | 1 | disco | disc | disque | | |
| 26 | 729044-2-00 | | 1 | vite | screw | vis | | |
| 27 | 722481-2-00 | | 3 | vite | screw | vis | | |
| 28 | 930675-0-00 | | 1 | volantino | handwheel | volant | | |



| Fig. N. Abb. N. | Part. Pieça Bestell Pieza | N. N. N. N. | Qt. Anzahl | DESCRIZIONE | DESCRIPTION | DESCR PTION | BENENNUNG | DESCRIPTION |
|--------------------|------------------------------------|----------------------|---------------|-------------------------------|------------------------|------------------------|-----------|-------------|
| ★ | 930848-4-00 | | 1 | gruppo stenditore completo | layer assembly | groupe pour matelasser | | |
| 1 | 930661-0-00 | | 1 | rullo superiore | upper roller | rouleau supérieur | | |
| 2 | 930663-0-00 | | 1 | perno | pin | pivot | | |
| 3 | 930850-0-00 | | 1 | albero | shaft | arbre | | |
| 4 | 930660-0-00 | | 1 | rullo inferiore | lower roller | rouleau inférieur | | |
| 5 | 745800-2-00 | | 8 | vite | screw | vis | | |
| 6 | 722512-2-00 | | 2 | vite | screw | vis | | |
| 7 | 930656-0-00 | | 4 | gabbia a rullini | needles cage | cage à aiguilles | | |
| 8 | 704813-0-00 | | 4 | rondella | washer | rondelle | | |
| 9 | 930688-0-00 | | 1 | ingranaggio condotto | gear | engrenage | | |
| 10 | 930657-2-00 | | 1 | supporto con gabbia a rullini | support | support | | |
| 11 | 724442-0-00 | | 2 | vite | screw | vis | | |
| 12 | 930692-2-00 | | 1 | coperchio | cover | couvercle | | |
| 13 | 930659-0-00 | | 1 | ingranaggio conduttore | gear | engrenage | | |
| 14 | 300483-0-10 | | 2 | vite | screw | vis | | |
| 15 | 930664-0-00 | | 1 | piastrina | plate | plaque | | |
| 16 | 740267-0-00 | | 2 | vite | screw | vis | | |
| 17 | 704412-0-00 | | 2 | rondella | washer | rondelle | | |
| 18 | 930690-0-00 | | 1 | tubo di protezione | protection pipe | tube de protection | | |
| 19 | 930841-2-00 | | 1 | supporto destro completo | right support assembly | support droit complet | | |
| 20 | 729013-2-00 | | 2 | vite | screw | vis | | |
| 21 | 930847-0-00 | | 1 | puleggia dentata | toothed pulley | poulie dentée | | |
| 22 | 930667-0-00 | | 1 | cinghia | belt | courroie | | |
| 23 | 930842-0-00 | | 1 | cuscinetto | bearing | coussinet | | |
| 24 | 930843-0-00 | | 1 | anello di spallamento | ring | anneau | | |
| 25 | 723266-2-00 | | 4 | vite | screw | vis | | |
| 26 | 930691-0-00 | | 1 | coperchio | cover | couvercle | | |

| Fig. N. Abb. N. | Part. Piece Beste Pieza | N. N. N. | Qt. Anzahl | DESCRIZIONE | DESCRIPTION | DESCRIPTION | BENENNUNG | DESCRIPTION |
|--------------------|------------------------------------|----------------|---------------|---------------------------|----------------------|-------------------------|-----------|-------------|
| ★ | 305163-3-00 | | 1 | pedino completo | presserfoot assembly | ped-presseur complet | | |
| ⑨ | 930852-4-00 | | 1 | gruppo frenaggio completo | brake assembly | groupe freinage complet | | |
| 1 | 303504-0-10 | | 1 | distanziale | spacer | entretoise | | |
| 2 | 303442-0-11 | | 1 | taglia catenella | chain cutting | coupe-chainette | | |
| 3 | 741791-2-00 | | 1 | vite | screw | vis | | |
| 4 | 733504-2-00 | | 2 | dado | nut | écrou | | |
| 5 | 990808-0-00 | | 1 | salvadita | protection | protection | | |
| 6 | 305165-0-00 | | 1 | placca ago | needle plate | plaque à aiguille | | |
| 7 | 305164-0-00 | | 1 | griffa | feed dog | griffe | | |
| 8 | 303868-0-10 | | 1 | crochet inferiore | lower looper | crochet inférieur | | |
| 9 | 785368-0-40 | | 1 | targhetta classe testa | head class plate | plaque classe tête | | |
| 10 | 930845-0-00 | | 2 | molla | spring | ressort | | |
| 11 | 201162-0-10 | | 2 | pomolo | knob | pommeau | | |
| 12 | 930857-0-00 | | 1 | piastrina superiore | upper plate | plaque supérieure | | |
| 13 | 930859-2-00 | | 1 | piastrina inferiore | lower plate | plaque inférieure | | |
| 14 | 930856-2-00 | | 1 | piastrina supporto | plate support | plaque support | | |
| 15 | 721475-2-00 | | 2 | vite | screw | vis | | |

